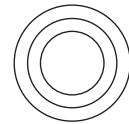


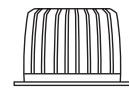
# INSTALLATION MANUAL

## 10160CA

**ecodownlight**

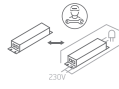


230mm



120mm

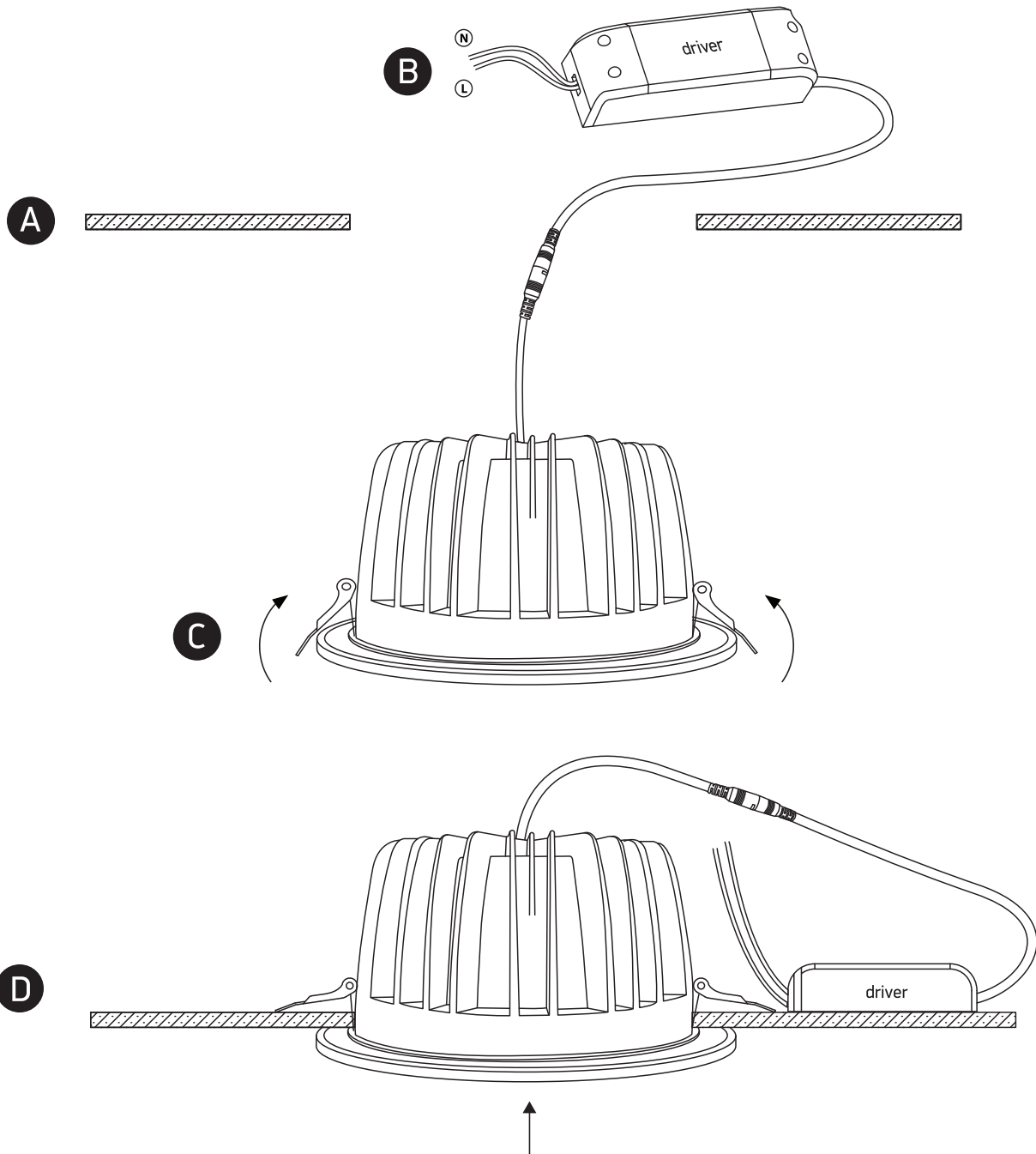
230V | COB LED | 60W | IP20 | Die cast  
Complete with 1500mA driver.



80  
CRI



**one**  
LIGHT



### Warnings:

1. Make sure that the product is installed properly before connecting to electricity.
2. Do not cover the fitting.
3. Maintenance and installation should only be carried out by a professional electrician.