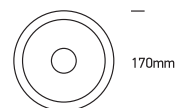


# INSTALLATION MANUAL

## 10130ED

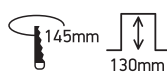
**eco**downlight



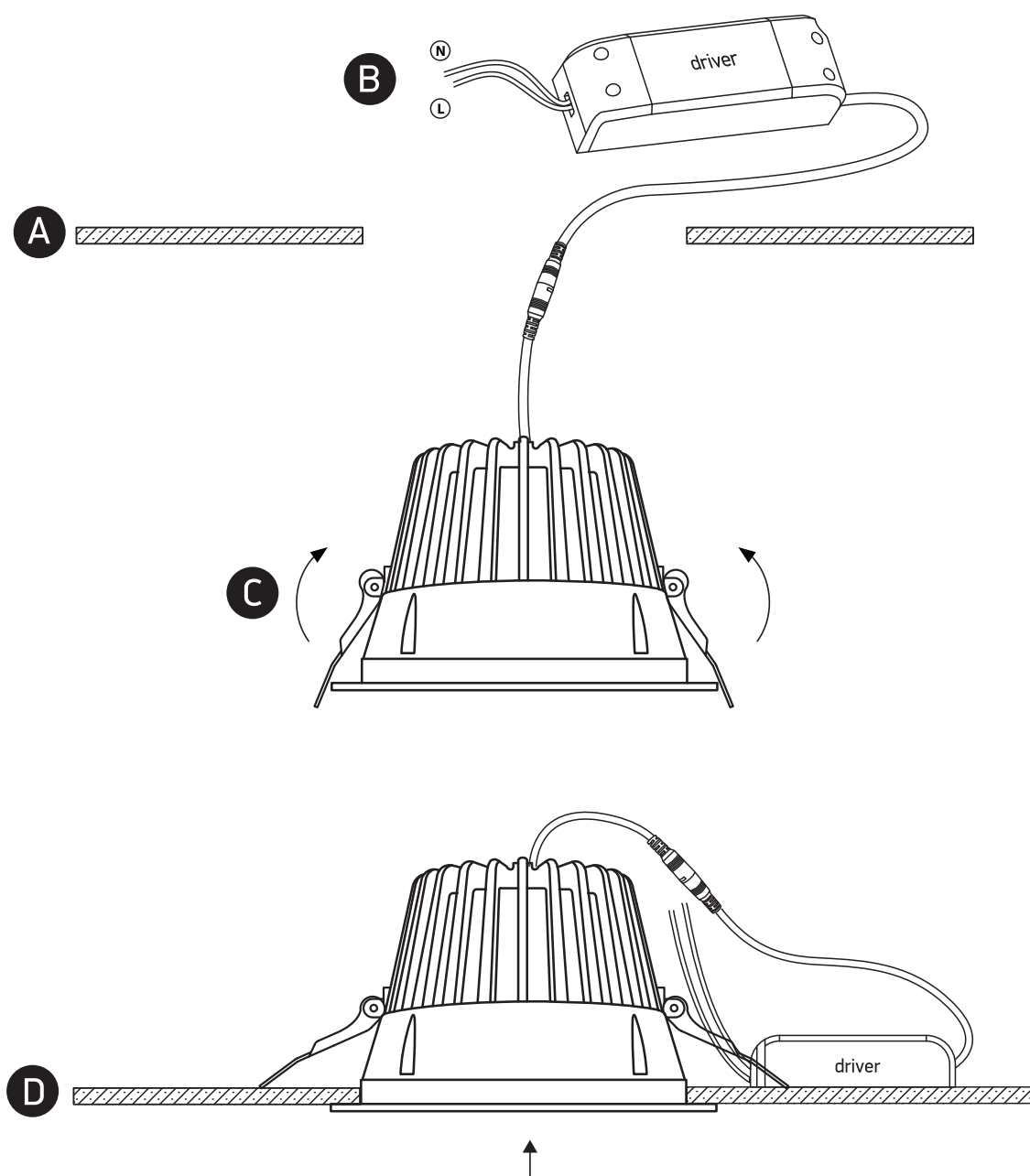
230V | SMD 2835 | 30W | IP20 | Aluminium

Complete with 750mA driver.

80  
CRI



**one**  
LIGHT



### Warnings:

1. Make sure that the product is installed properly before connecting to electricity.
2. Do not cover the fitting.
3. Maintenance and installation should only be carried out by a professional electrician.