

INSTALLATION MANUAL

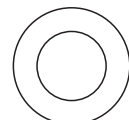
10124T, 10130T

ecodownlight



CE

RoHS
COMPLIANT

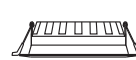


235mm

10124T: 230V | SMD 2835 | 24W | IP20 | Aluminium
10130T: 230V | SMD 2835 | 30W | IP20 | Aluminium

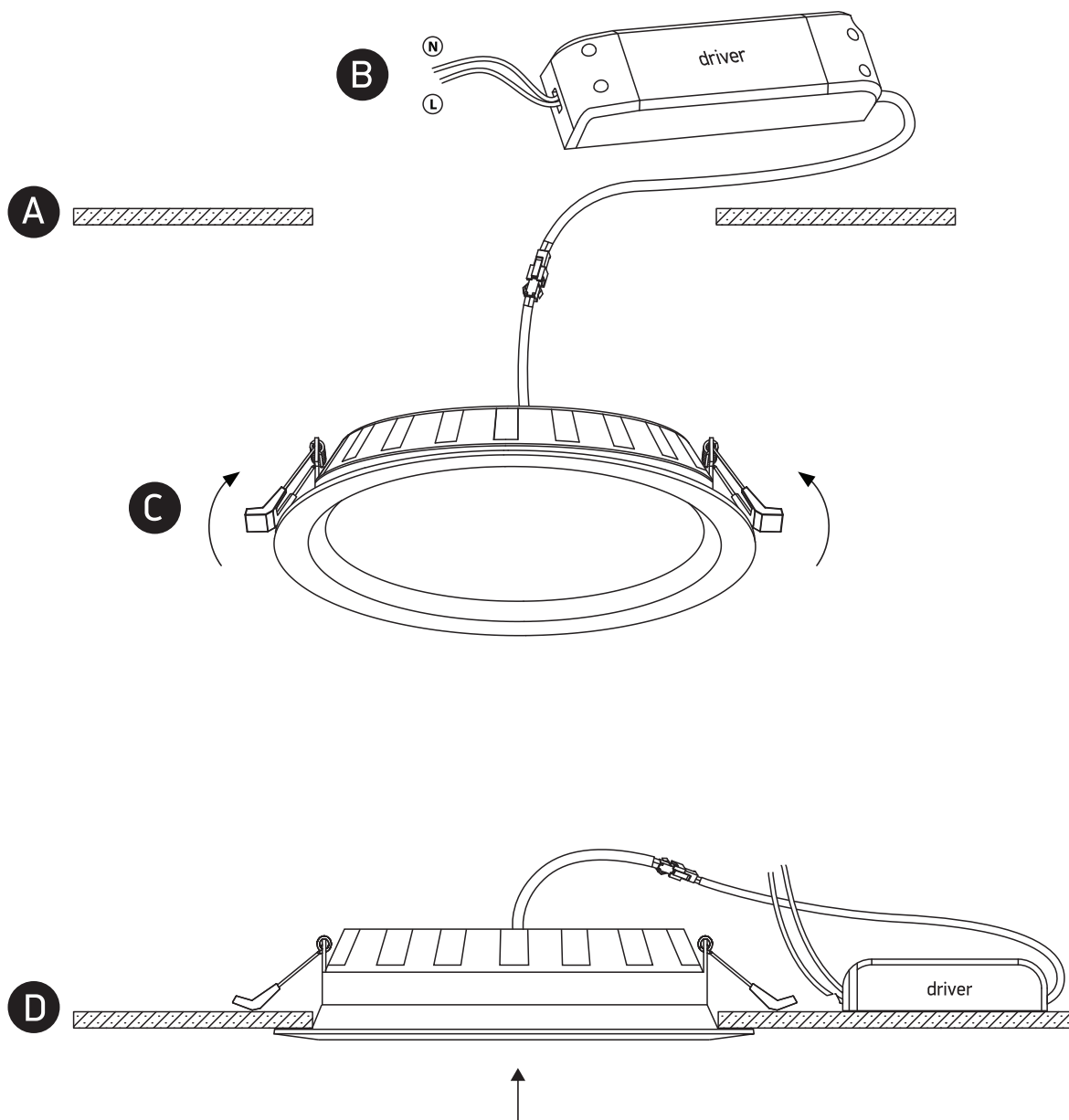
Complete with driver.

80
CRI



55mm

one
LIGHT



Warnings:

1. Make sure that the product is installed properly before connecting to electricity.
2. Do not cover the fitting.
3. Maintenance and installation should only be carried out by a professional electrician.