

# INSTALLATION MANUAL

10124

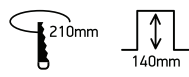
ecodownlight



238mm

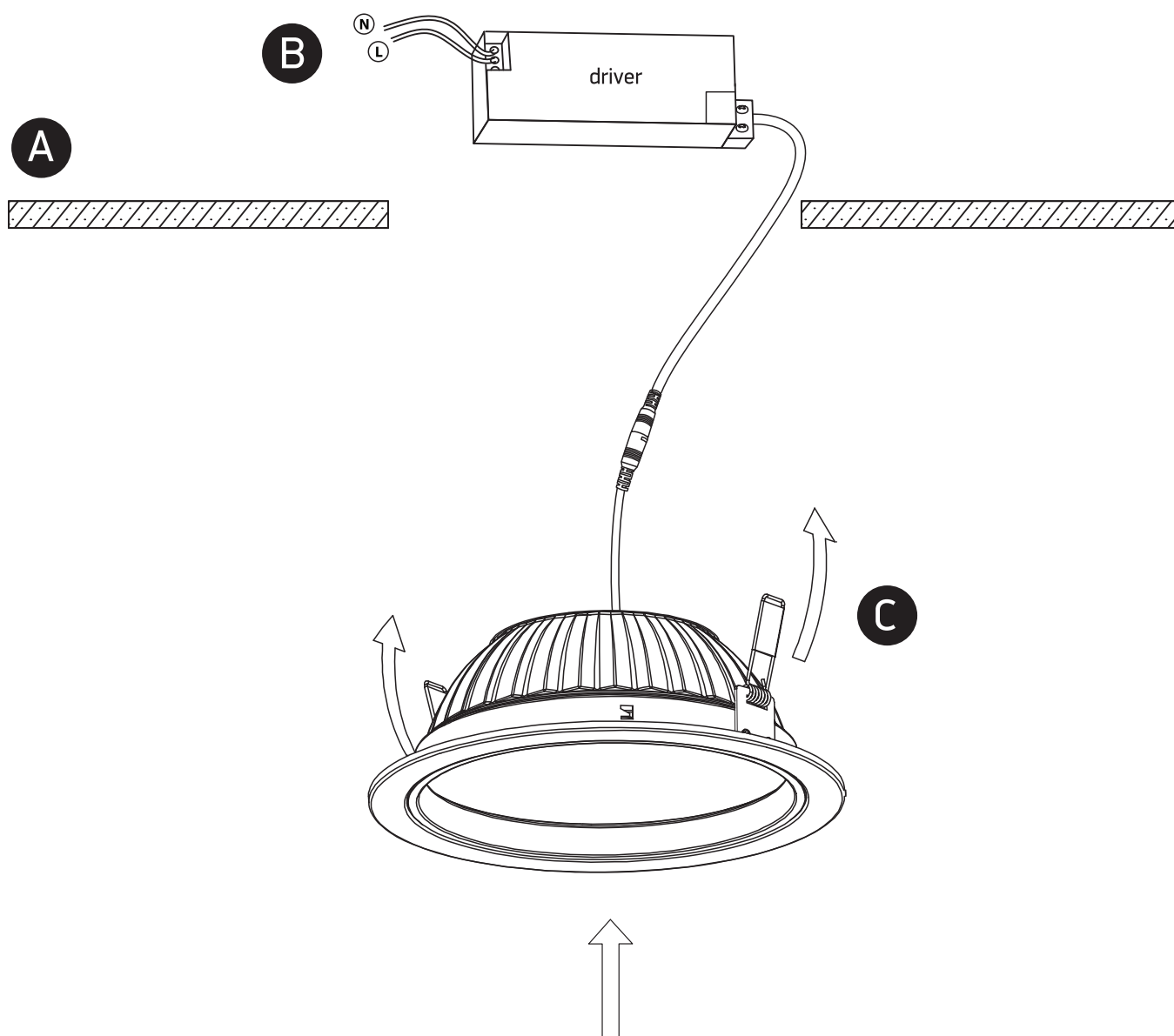
230V | SMD 2835 | 24W | IP44 | Aluminium  
Complete with driver.

80  
CRI



100mm

one  
LIGHT



## Warnings:

1. Make sure that the product is installed properly before connecting to electricity.
2. Do not cover the fitting.
3. Maintenance and installation should only be carried out by a professional electrician.