

INSTALLATION MANUAL

10122D

ecolight



CE

RoHS
COMPLIANT

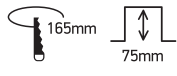
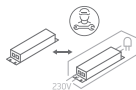


80
CRI



175mm

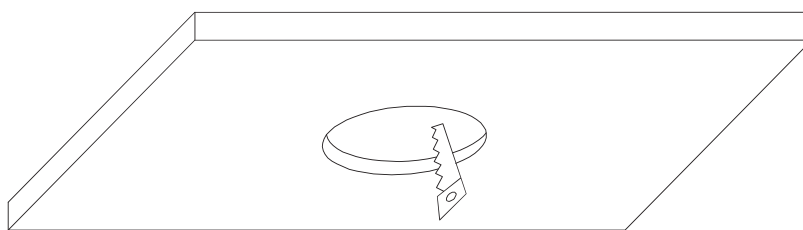
230V | SMD 2835 | 22W | IP20 | Die cast
Complete with 500mA driver.



55mm

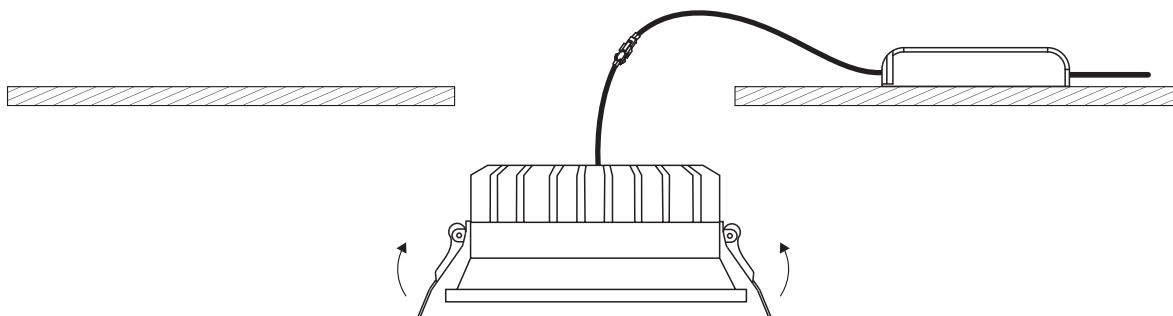
one
LIGHT

A

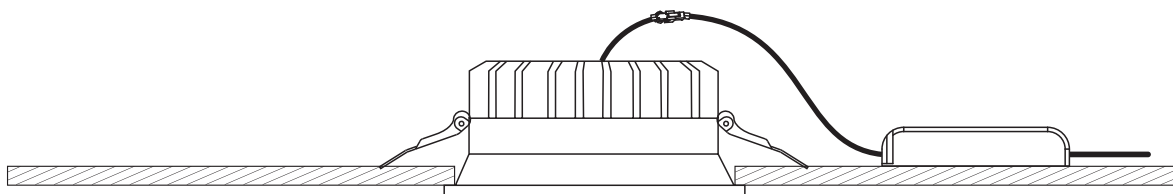


CUTOUT HOLE: 165mm

B



C



*IP54 is the protection degree of the fitting under the ceiling. The fitting part hidden in the ceiling is IP20

Warnings:

1. Make sure that the product is installed properly before connecting to electricity.
2. Do not cover the fitting.
3. Maintenance and installation should only be carried out by a professional electrician.