

# INSTALLATION MANUAL

## 10112K

**ecolight**



90  
CRI

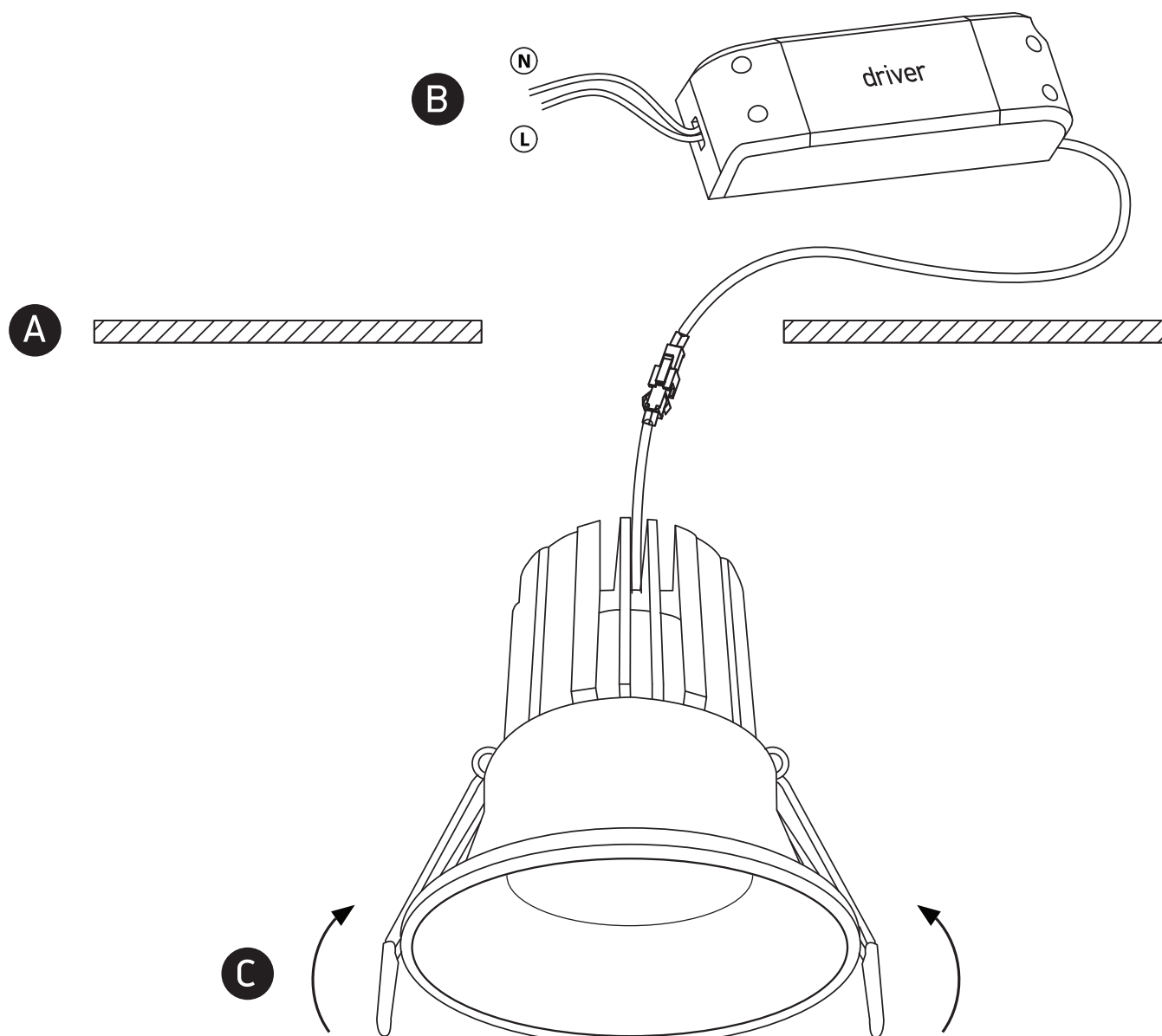


700mA | COB LED | 12W | IP20 | Die cast

Requires 700mA driver.



**one**  
LIGHT



### Warnings:

1. Make sure that the product is installed properly before connecting to electricity.
2. Do not cover the fitting.
3. Maintenance and installation should only be carried out by a professional electrician.