

INSTALLATION MANUAL

10112K

ecolight



DIMMABLE

DARK LIGHT



QUICK FIX

90
CRI



700mA | COB LED | 12W | IP20 | Die cast

Requires 700mA driver.



73mm



102mm



67mm

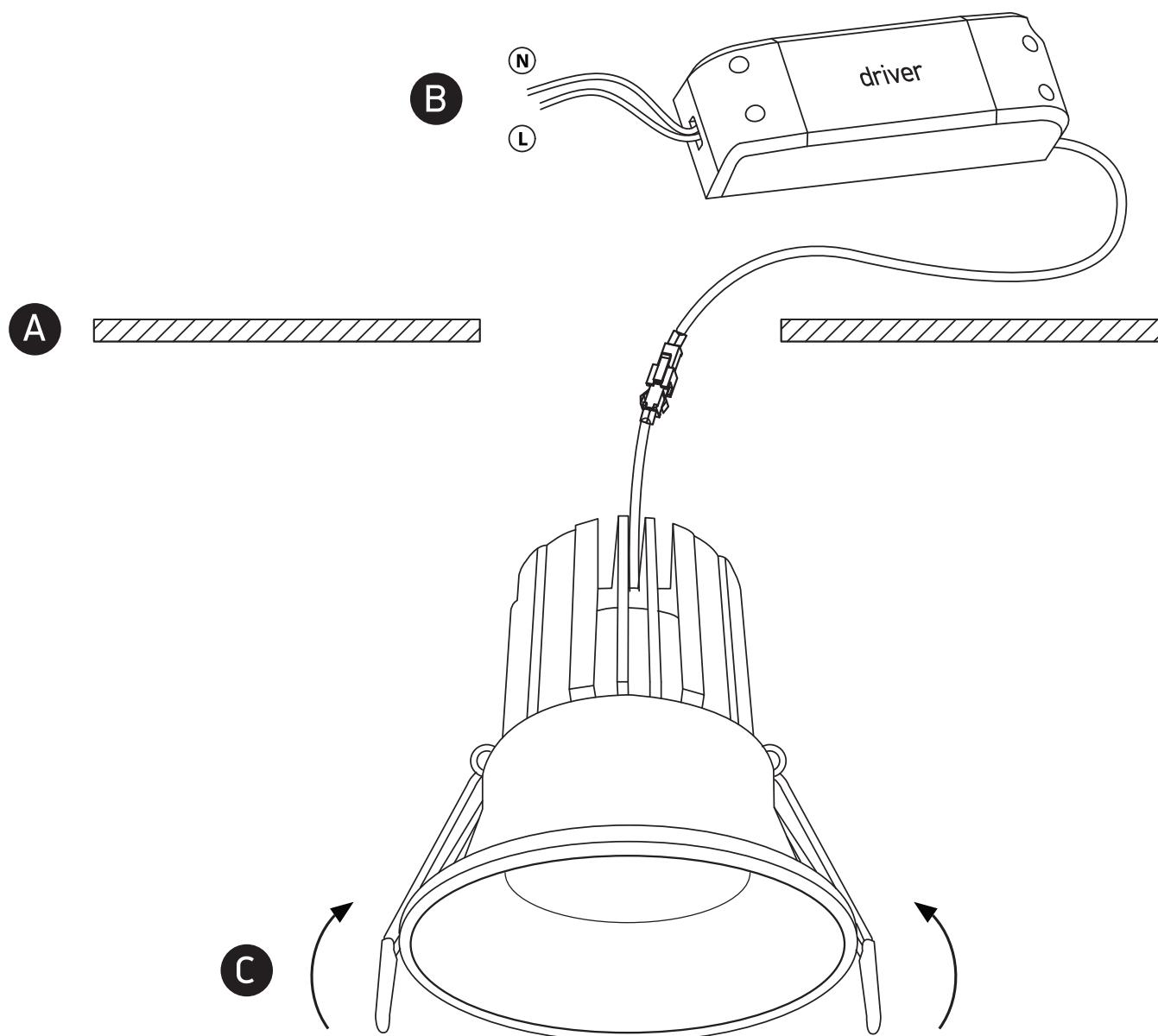


120mm



40cm

one
LIGHT



Warnings:

1. Make sure that the product is installed properly before connecting to electricity.
2. Do not cover the fitting.
3. Maintenance and installation should only be carried out by a professional electrician.