

# INSTALLATION MANUAL

## 10110HTR

**LED**  
BUILT IN



**DARK LIGHT**

**90 CRI**

**CE EAC UK CA**

**RoHS COMPLIANT**



**NOT DIMMABLE**

137mm



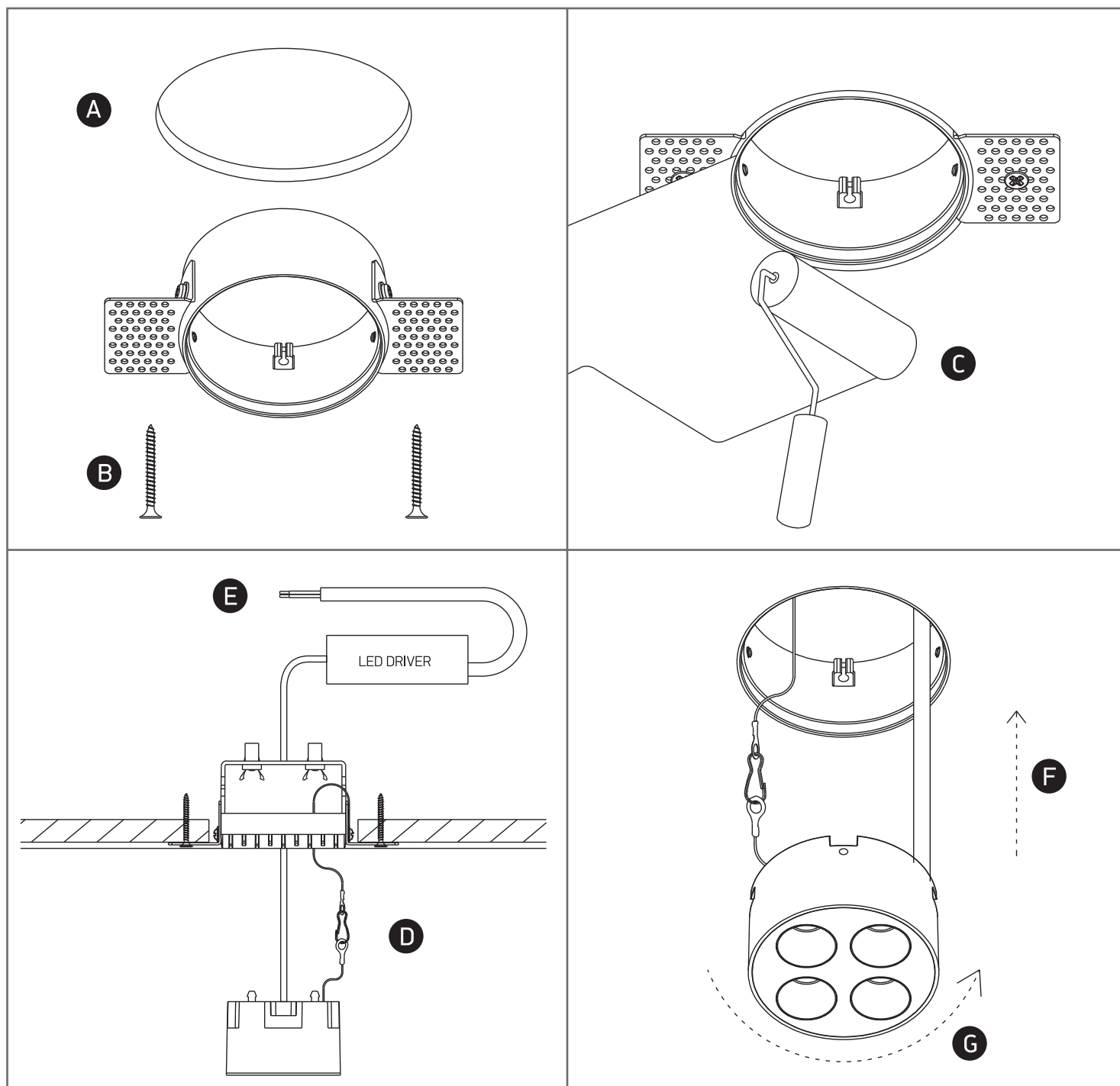
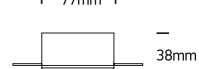
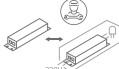
77mm



38mm

**one**  
LIGHT

230V | SMD 3535 | 10W | IP20 | Trimless | Aluminium  
Complete with 700mA driver.



### Warnings:

1. Make sure that the product is installed properly before connecting to electricity.
2. Do not cover the fitting.
3. Maintenance and installation should only be carried out by a professional electrician.