

INSTALLATION MANUAL

10110C

ecodownlight



109mm



90mm

230V | 10W | IP20 | Aluminium

Complete with LED driver



46mm

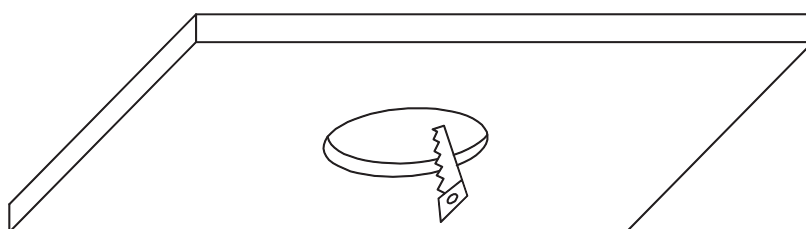


95mm

one

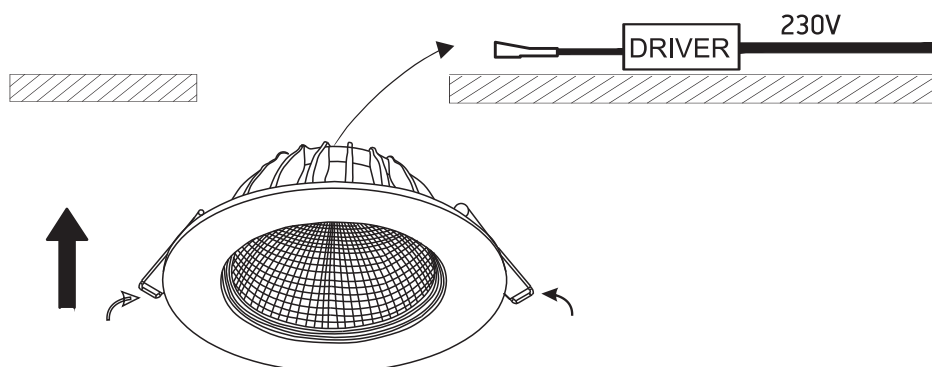
LIGHT

A

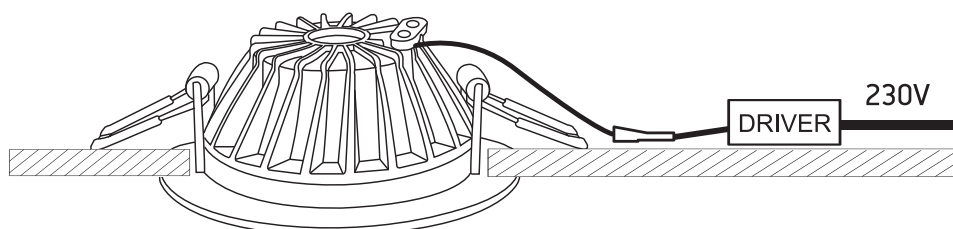


CUTOUT HOLE: 95mm

B



C



Warnings:

1. Make sure that the product is installed properly before connecting to electricity.
2. Do not cover the fitting.
3. Maintenance and installation should only be carried out by a professional electrician.