

# INSTALLATION MANUAL

10109D

**ecolight**



CE

RoHS  
COMPLIANT

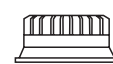


80  
CRI

80  
CRI



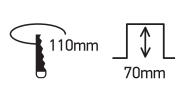
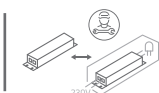
120mm



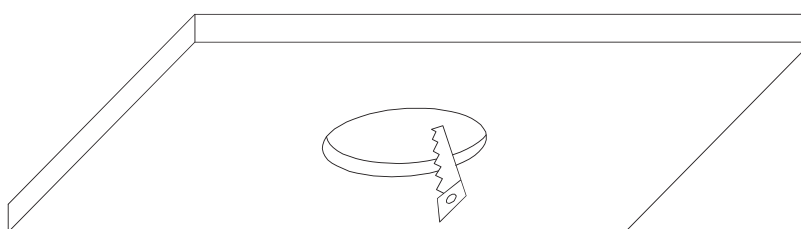
50mm



230V | SMD 2835 | 9W | IP20 | Die cast  
Complete with 300mA driver.

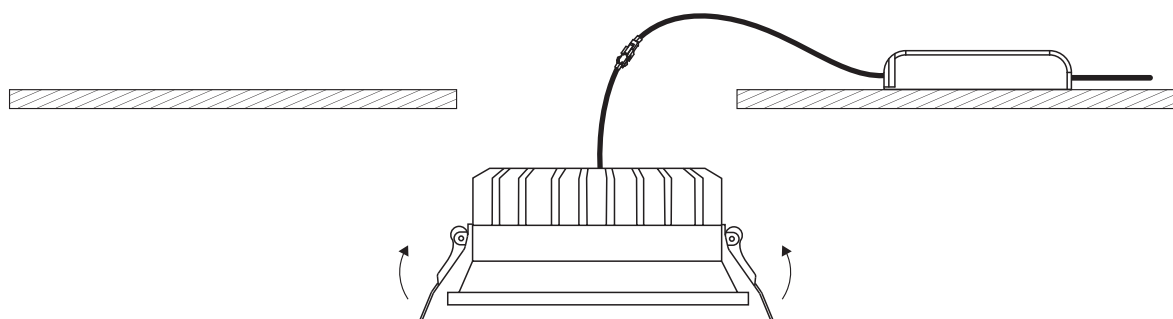


**A**

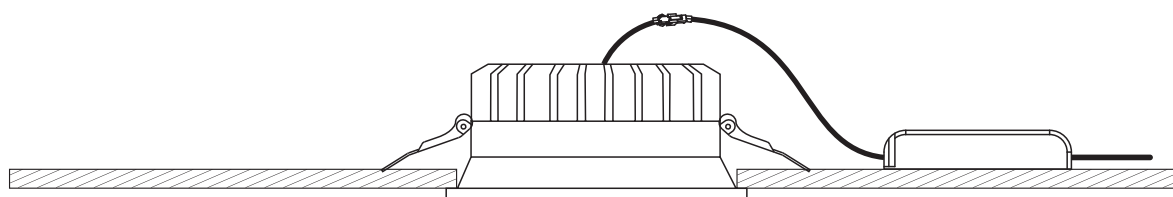


CUTOUT HOLE: 110mm

**B**



**C**



\*IP54 is the protection degree of the fitting under the ceiling. The fitting part hidden in the ceiling is IP20

## Warnings:

1. Make sure that the product is installed properly before connecting to electricity.
2. Do not cover the fitting.
3. Maintenance and installation should only be carried out by a professional electrician.