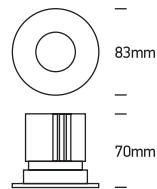


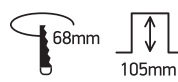
INSTALLATION MANUAL

10107P

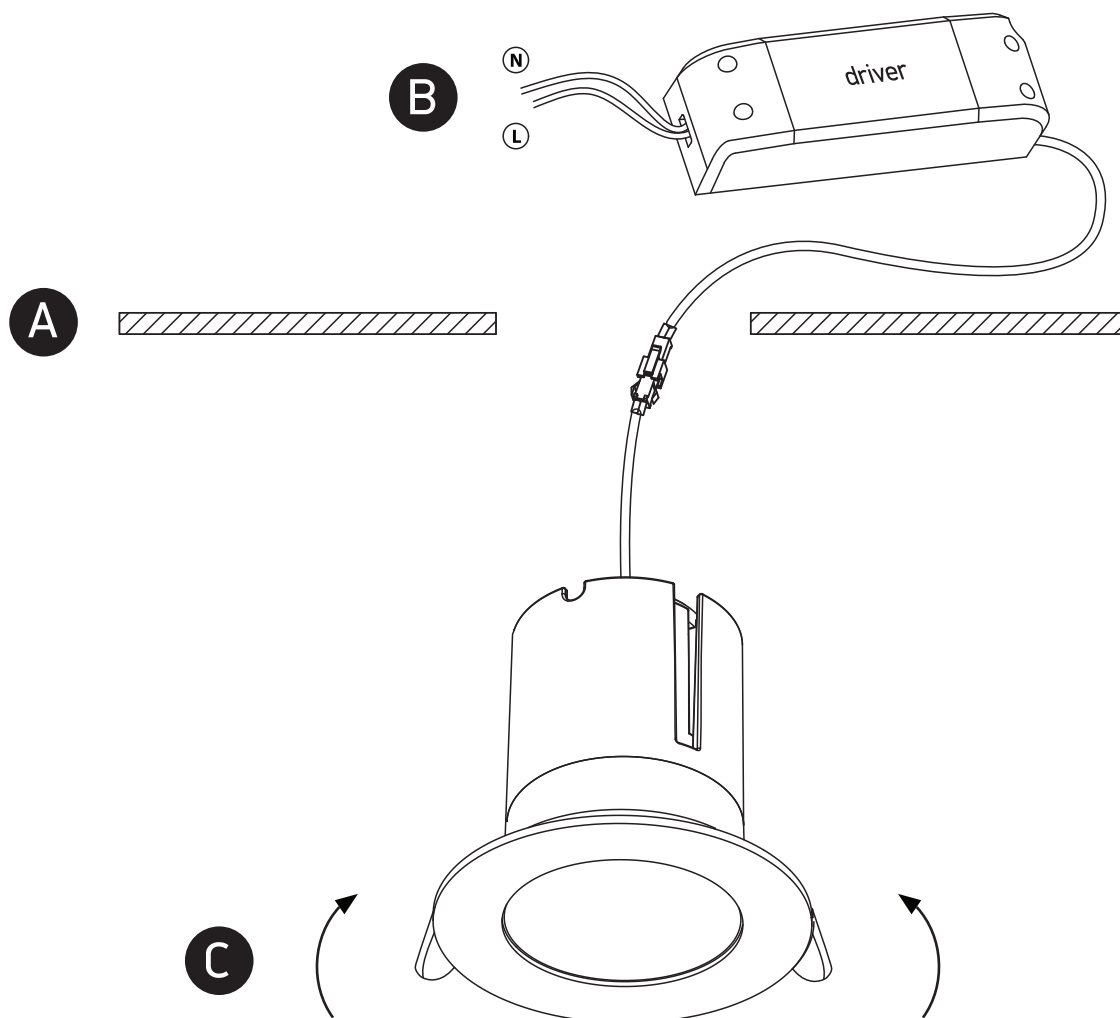
ecolight



700mA | COB LED | 6.5W | IP65 | Die cast
Requires 700mA driver.



90 CRI



Warnings:

1. Make sure that the product is installed properly before connecting to electricity.
2. Do not cover the fitting.
3. Maintenance and installation should only be carried out by a professional electrician.