

INSTALLATION MANUAL

10107H

ecolight



DARK LIGHT

90 CRI



700mA | COB LED | 6.5W | IP65 | Aluminium
Requires 700mA driver.



70mm



70mm

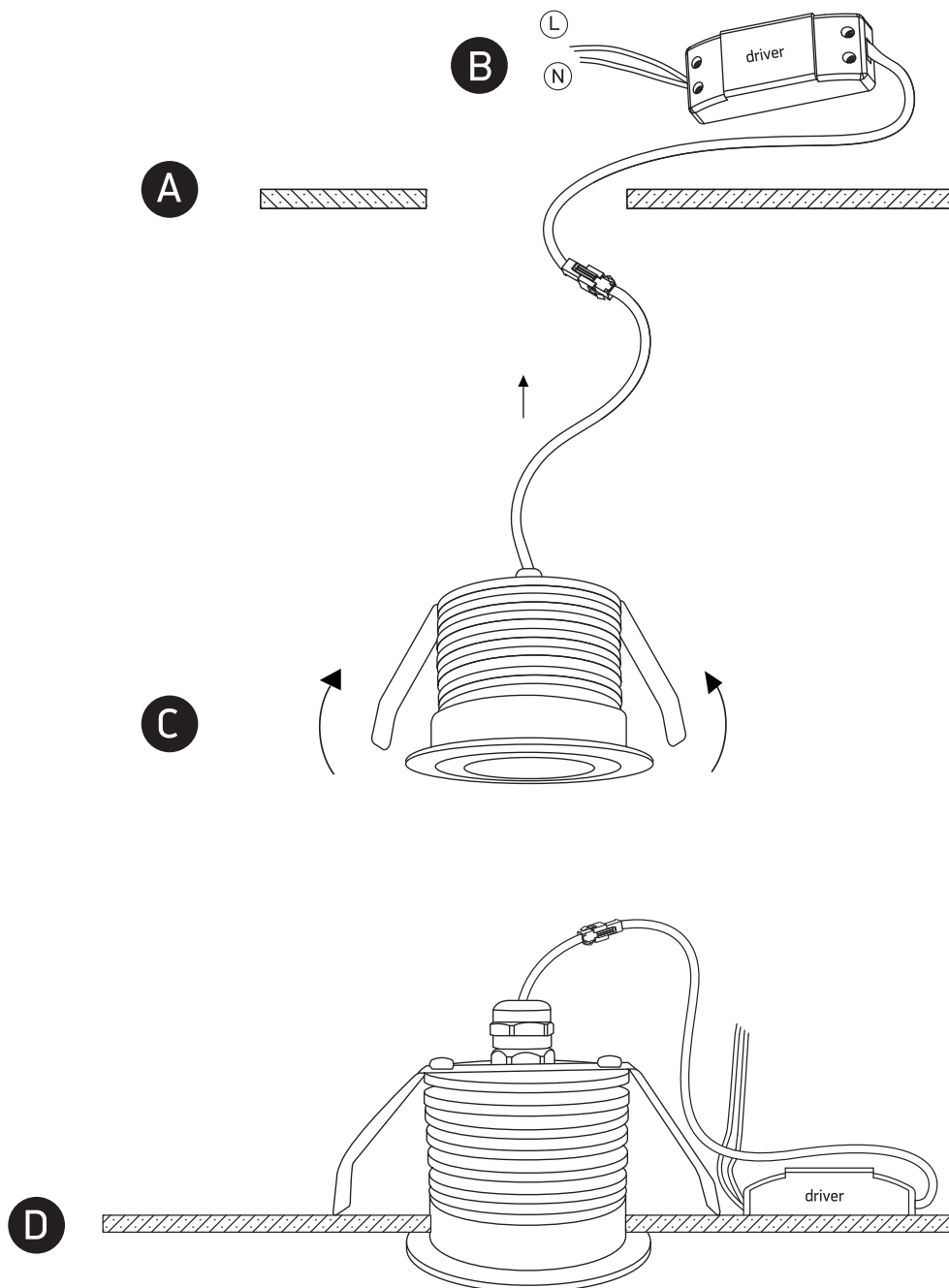


60mm



40cm

one
LIGHT



Warnings:

1. Make sure that the product is installed properly before connecting to electricity.
2. Do not cover the fitting.
3. Maintenance and installation should only be carried out by a professional electrician.