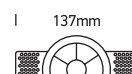


# INSTALLATION MANUAL

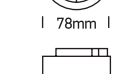
## 10106XTR

**LED**  
BUILT IN

**DARK  
LIGHT**
**90  
CRI**
**CE EAC UK CA**
**RoHS  
COMPLIANT**

**NOT  
DIMMABLE**


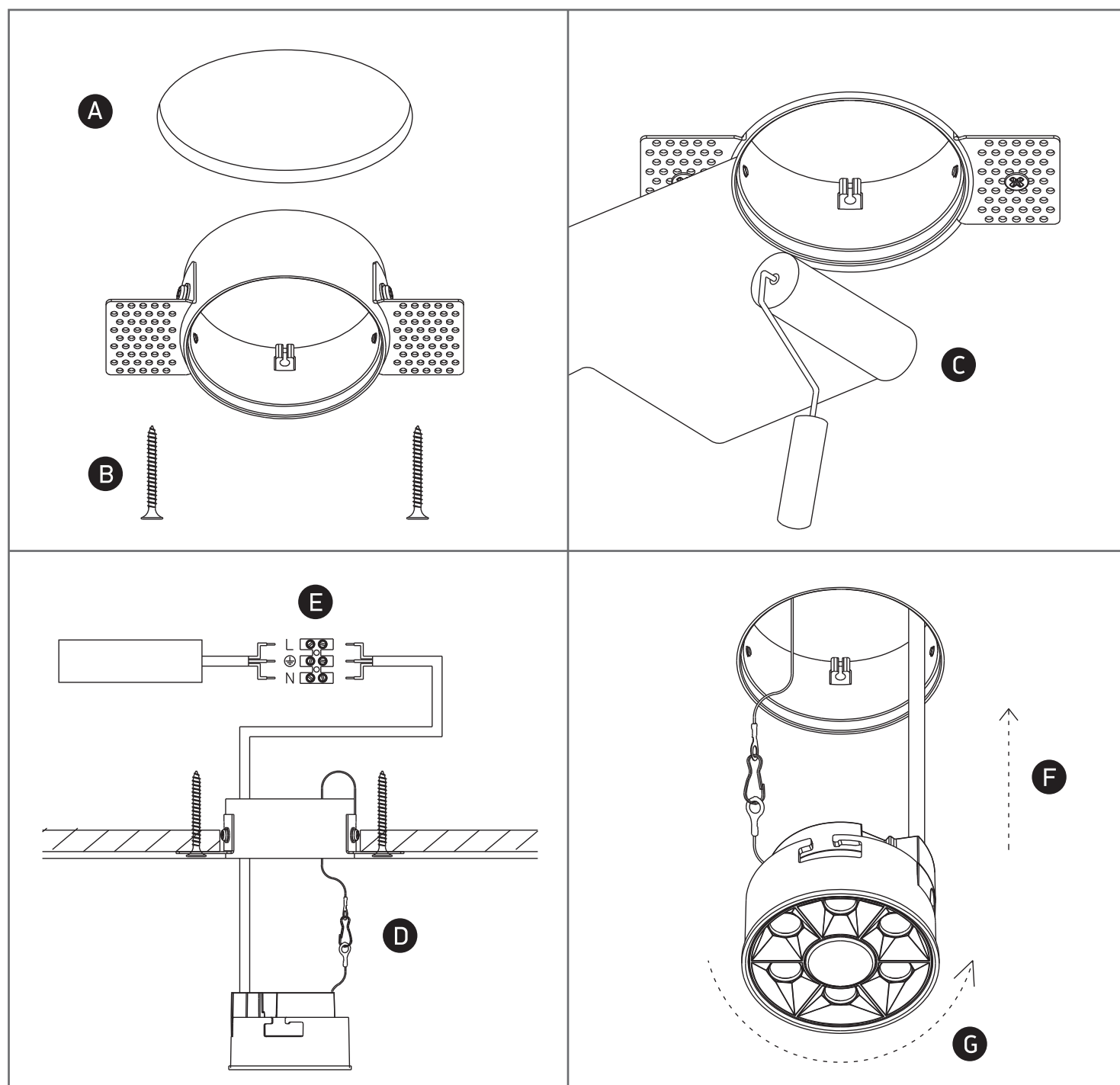
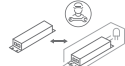
137mm



78mm

48mm

**one**  
LIGHT

 230V | SMD 3030 | 6W | IP20 | Trimless | Aluminium  
Complete with 150mA driver.


### Warnings:

1. Make sure that the product is installed properly before connecting to electricity.
2. Do not cover the fitting.
3. Maintenance and installation should only be carried out by a professional electrician.