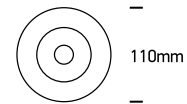


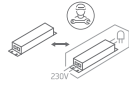
# INSTALLATION MANUAL

10106V

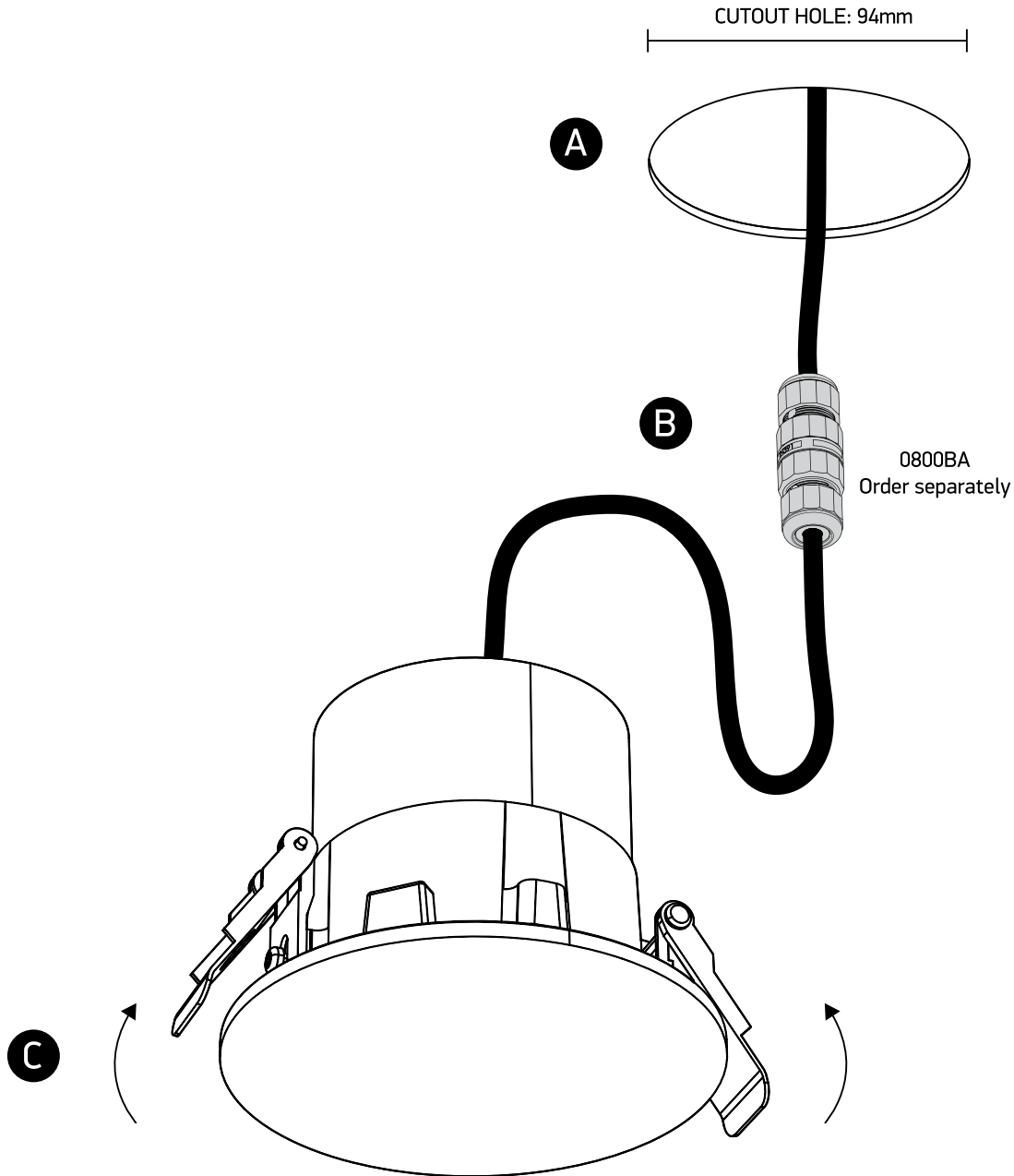
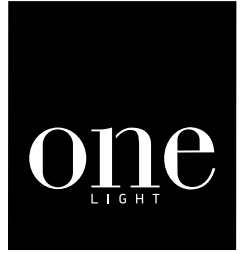
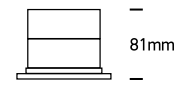
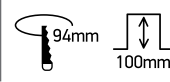
**ecolight**



100-240V | COB LED | 6W | IP65 | Die cast  
Complete with 500mA driver



80 CRI



**Warnings:**

1. Make sure that the product is installed properly before connecting to electricity.
2. Do not cover the fitting.
3. Maintenance and installation should only be carried out by a professional electrician.