

# INSTALLATION MANUAL

## 10103E

**ecolight**



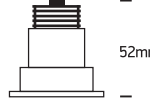
**DARK LIGHT**



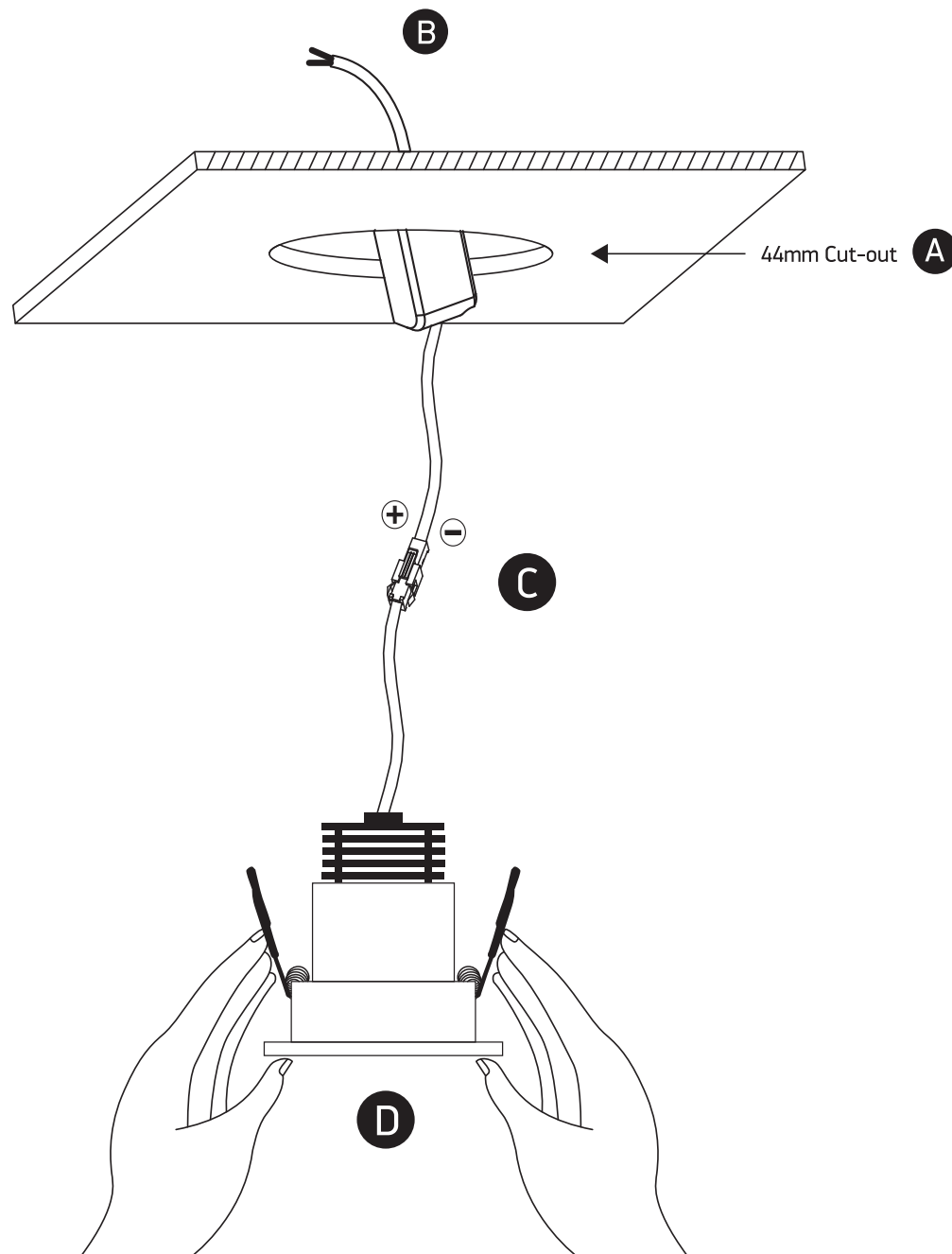
**90 CRI**



350mA | COB LED | 3W | IP20 | Aluminium  
Requires 350mA driver.



**one**  
LIGHT



### Warnings:

1. Make sure that the product is installed properly before connecting to electricity.
2. Do not cover the fitting.
3. Maintenance and installation should only be carried out by a professional electrician.