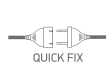


# INSTALLATION MANUAL

## 10103B

**ecolight**



90 CRI



350mA/700mA | COB LED | 1W/2W | IP20 | Aluminium  
For 1W use 350mA driver / For 2W use 700mA driver.



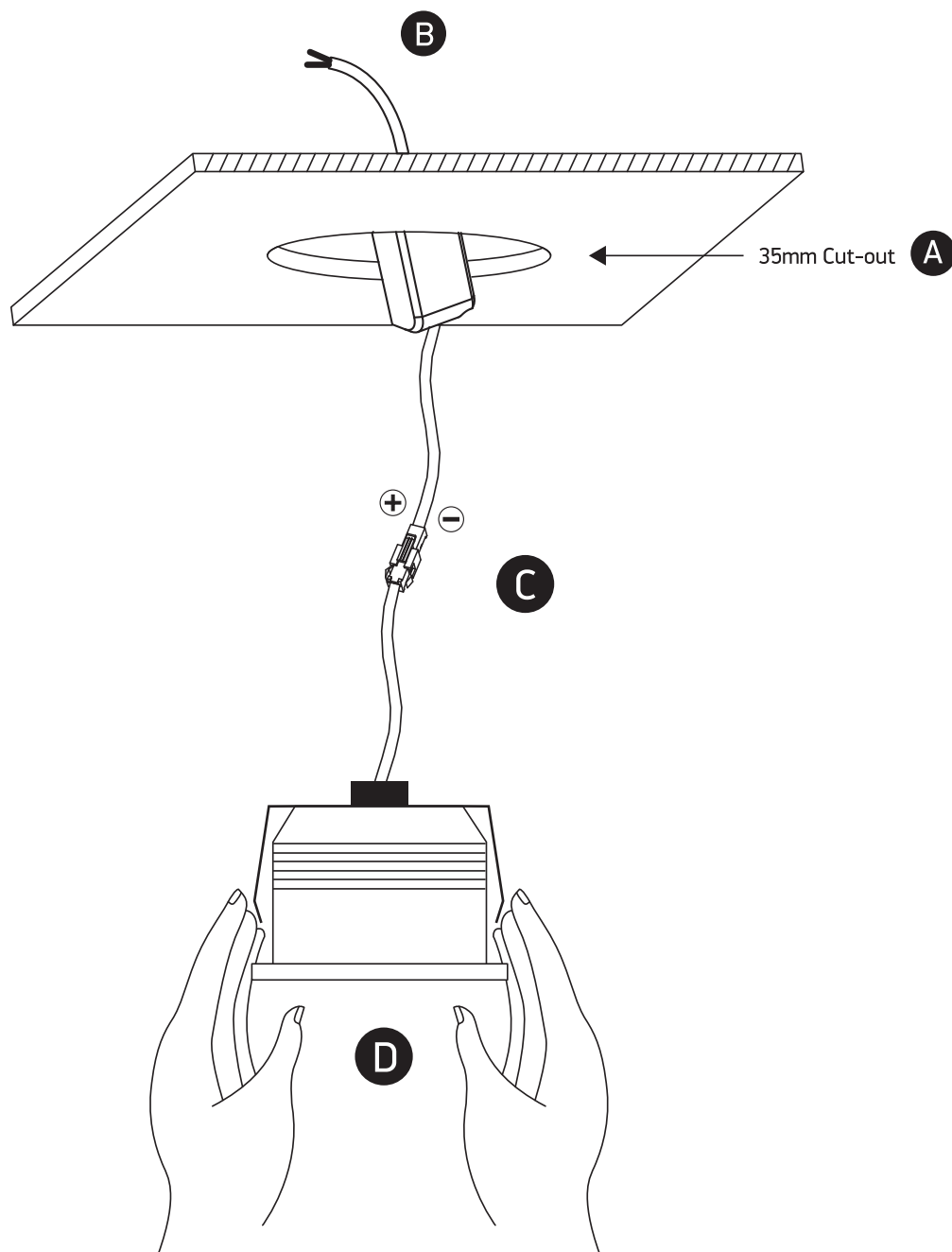
42mm



35mm



**one**  
LIGHT



### Warnings:

1. Make sure that the product is installed properly before connecting to electricity.
2. Do not cover the fitting.
3. Maintenance and installation should only be carried out by a professional electrician.