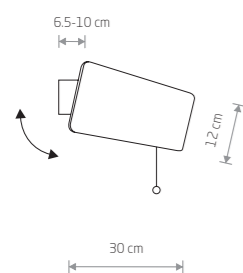


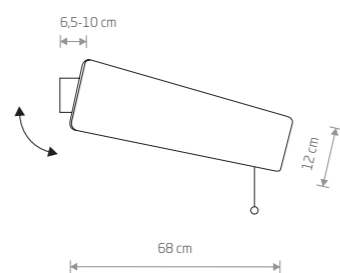


OSLO LED 7522



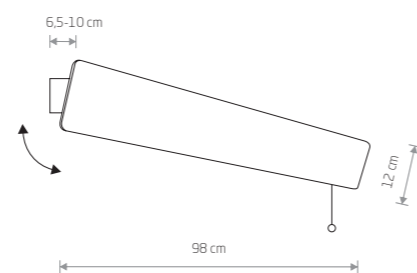
OSLO 30
wood, painted steel

9700
1xE14, max 40W



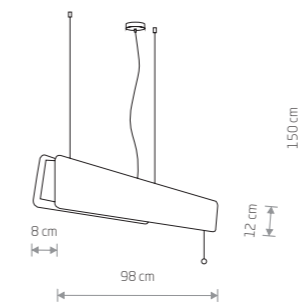
OSLO LED 60
wood, painted steel

7521 7517
1xLED TUBE T8, max 11W, included



OSLO LED 90
wood, painted steel

7518
1xLED TUBE T8, max 16W, included



OSLO LED 90
wood, painted steel

7522 7520
1xLED TUBE T8, max 16W, included

Name	Size	Power	Colour temp.	Luminous flux	Beam angle	Colour Rendering Index (CRI)	Input	Power factor	LED driver	Lifetime	Material
LED TUBE T8	60 cm	11W LED	3000K	1700 lm	120 °	≥80	220-230 V, 50/60 Hz	>0,5	INCL	30000h	CLEAR GLASS
LED TUBE T8	90 cm	16W LED	3000K	2300 lm	120 °	≥80	220-230 V, 50/60 Hz	>0,5	INCL	30000h	CLEAR GLASS