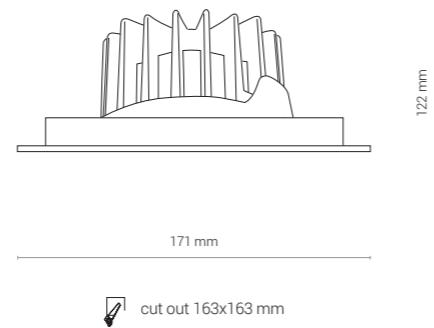
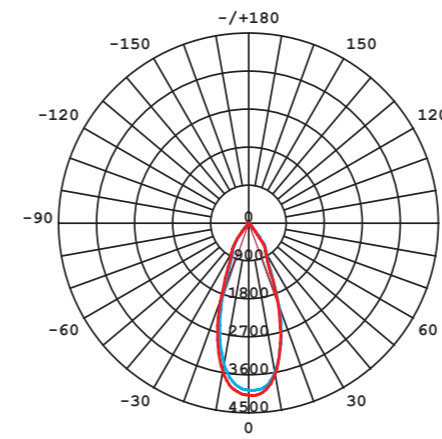


CL DIA LED 30W



LUMINOUS INTENSITY DISTRIBUTION DIAGRAM



Luminous intensity [cd]
 C0-C180 — (red line)
 C90-C270 — (blue line)

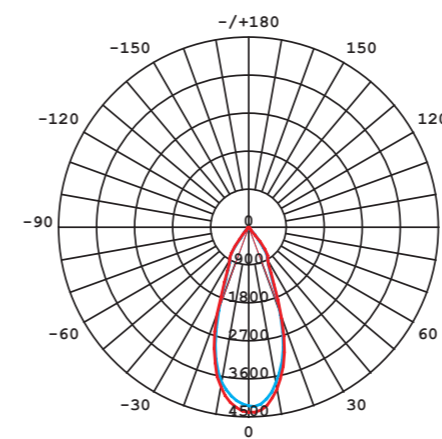


Beam cone diagram
 Beam angle 40°

Distance [m]	Illuminance [lx] 3000K	Diameter [m]
1 m	4077	0,70
2 m	1019	1,41
3 m	453	2,11
4 m	255	2,82
5 m	163	3,52
6 m	113	4,23
7 m	83	4,93

8720, 30W, 3000K, beam angle 40°

LUMINOUS INTENSITY DISTRIBUTION DIAGRAM



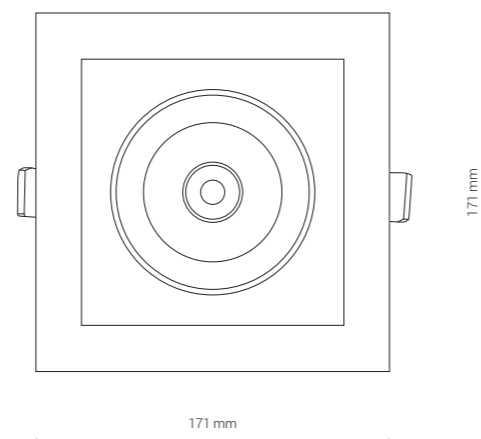
Luminous intensity [cd]
 C0-C180 — (red line)
 C90-C270 — (blue line)



Beam cone diagram
 Beam angle 40°

Distance [m]	Illuminance [lx] 4000K	Diameter [m]
1 m	4388	0,72
2 m	1097	1,44
3 m	488	2,16
4 m	274	2,88
5 m	176	3,60
6 m	122	4,32
7 m	90	5,05

8718, 30W, 4000K, beam angle 40°



CL DIA LED 30W

aluminium, stal lakierowana / aluminum, painted steel /
 алюминий, лакированная сталь

8720 ● WH / BL - 3000K

8718 ● WH / BL - 4000K

Item No.	POWER	COLOUR TEMP.	LUMEN	BEAM ANGLE	CRI	IP	LED BRAND	DRIVER BRAND	LIFETIME	WARRANTY
8720	30W	3000K	2250	40°	≥90	20	CREE	OSRAM	50000h	5 YEARS
8718	30W	4000K	2250	40°	≥90	20	CREE	OSRAM	50000h	5 YEARS