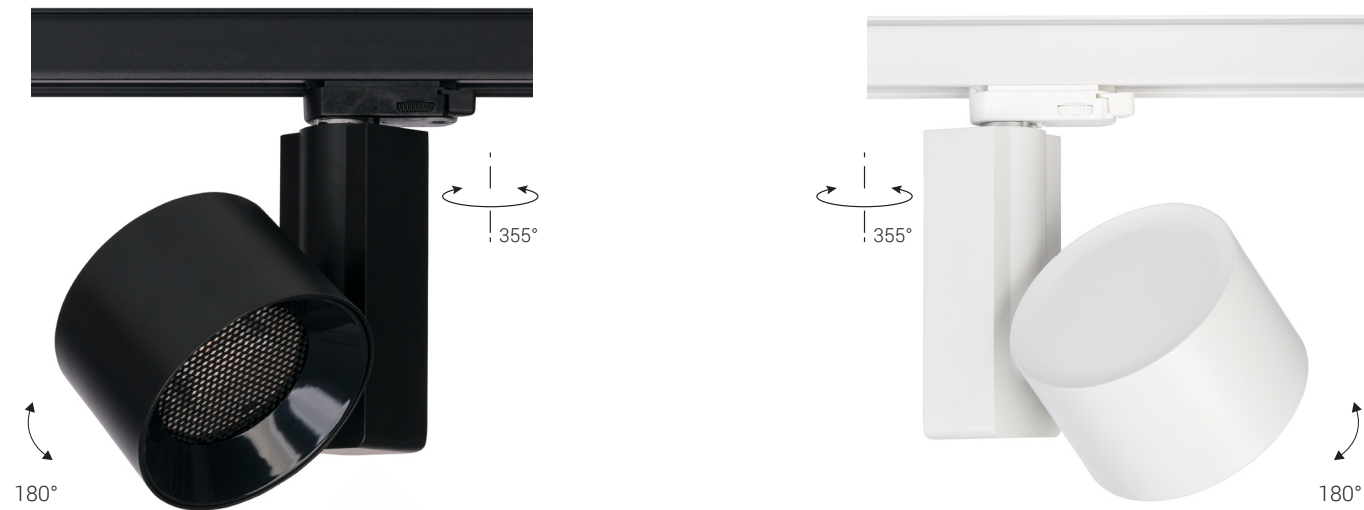


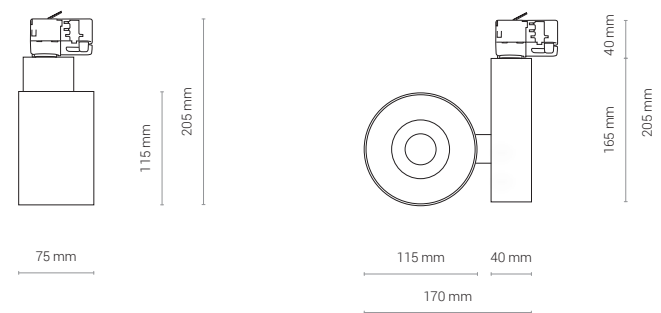
# CTLS NEA LED 30W



ZESTAW ZAWIERA 3 SOCZEWKI I FILTR PRZECIWOŚNIEIOWY "PLASTER MIODU"

3 LENSES AND ANTI-GLARE "HONEYCOMB" INCLUDED

3 ЛИНЗЫ И АНТИБЛИКОВЫЙ ФИЛЬТР (ТИП ФИЛЬТРА «СОТЫ») В КОМПЛЕКТЕ



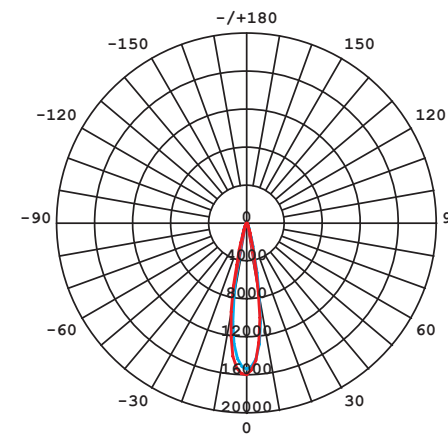
# CTLS NEA LED 30W

aluminium / aluminum / алюминий

- 8753 ○ WH - 3000K    8751 ● BL - 3000K
- 8752 ○ WH - 4000K    8750 ● BL - 4000K

Item No.	POWER	COLOUR TEMP.	LUMEN	BEAM ANGLE	CRI	IP	LED BRAND	DRIVER BRAND	LIFETIME	WARRANTY
8753	30W	3000K	2600	20°, 25°, 37°	≥90	20	SAMSUNG	OSRAM	50000h	5 YEARS
8752	30W	4000K	2600	20°, 25°, 37°	≥90	20	SAMSUNG	OSRAM	50000h	5 YEARS
8751	30W	3000K	2600	20°, 25°, 37°	≥90	20	SAMSUNG	OSRAM	50000h	5 YEARS
8750	30W	4000K	2600	20°, 25°, 37°	≥90	20	SAMSUNG	OSRAM	50000h	5 YEARS

LUMINOUS INTENSITY DISTRIBUTION DIAGRAM

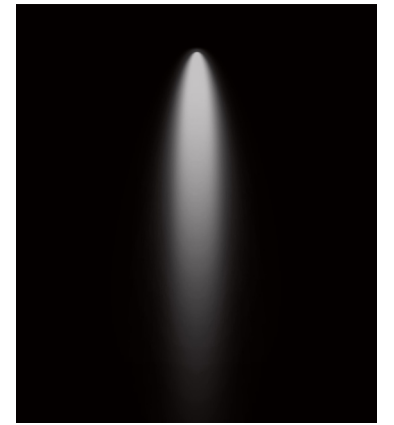


Luminous intensity [cd]  
C0-C180 — (red line)  
C90-C270 — (blue line)

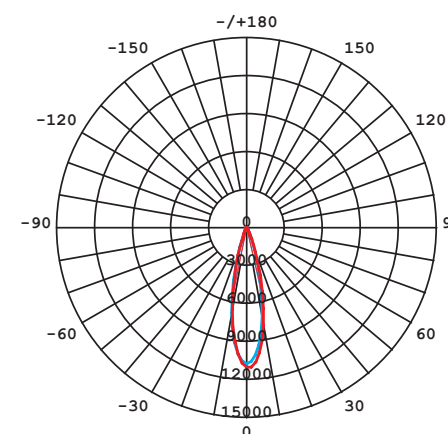
8750, 8751, 8752, 8753, 30W, 3000K, 4000K, beam angle 20°

Beam cone diagram  
Beam angle 20°

Distance [m]	Illuminance [lx] 3000K/4000K	Diameter [m]
1 m	15948	0,35
2 m	3987	0,70
3 m	1772	1,05
4 m	997	1,40
5 m	638	1,75
6 m	443	2,10
7 m	326	2,44



LUMINOUS INTENSITY DISTRIBUTION DIAGRAM



Luminous intensity [cd]  
C0-C180 — (red line)  
C90-C270 — (blue line)

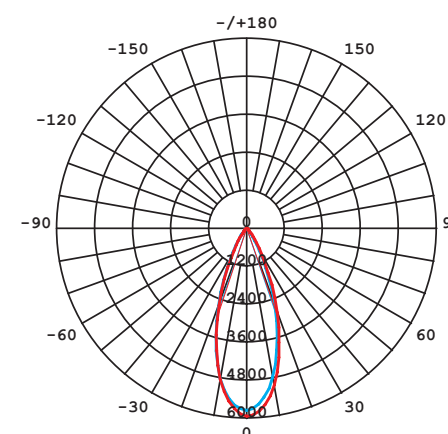
8750, 8751, 8752, 8753, 30W, 3000K, 4000K, beam angle 25°

Beam cone diagram  
Beam angle 25°

Distance [m]	Illuminance [lx] 3000K/4000K	Diameter [m]
1 m	11040	0,44
2 m	2760	0,87
3 m	1227	1,31
4 m	690	1,75
5 m	442	2,18
6 m	307	2,62
7 m	225	3,06



LUMINOUS INTENSITY DISTRIBUTION DIAGRAM



Luminous intensity [cd]  
C0-C180 — (red line)  
C90-C270 — (blue line)

8750, 8751, 8752, 8753, 30W, 3000K, 4000K, beam angle 37°

Beam cone diagram  
Beam angle 37°

Distance [m]	Illuminance [lx] 3000K/4000K	Diameter [m]
1 m	5935	0,67
2 m	1484	1,34
3 m	659	2,00
4 m	371	2,67
5 m	237	3,34
6 m	165	4,01
7 m	121	4,68

