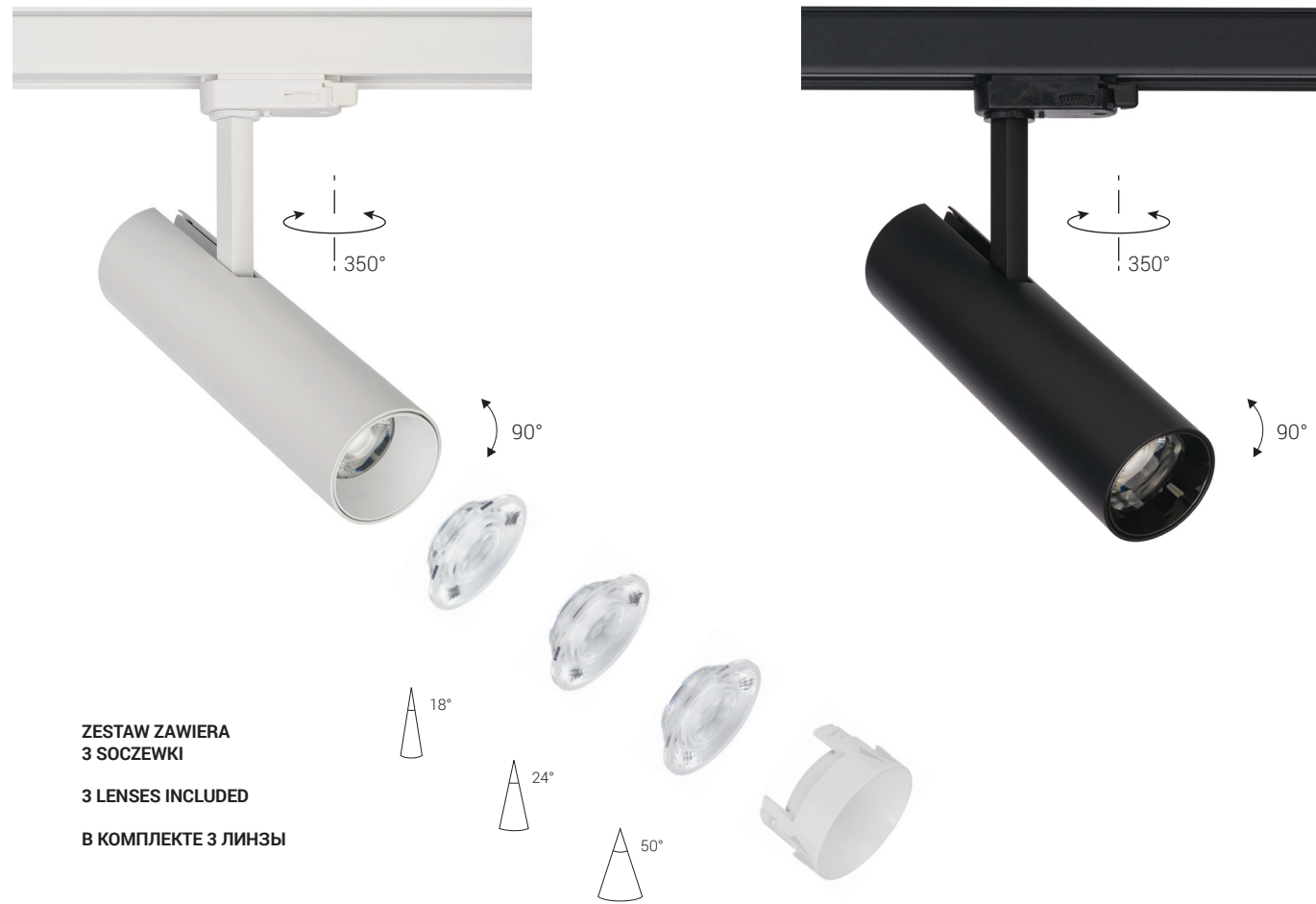
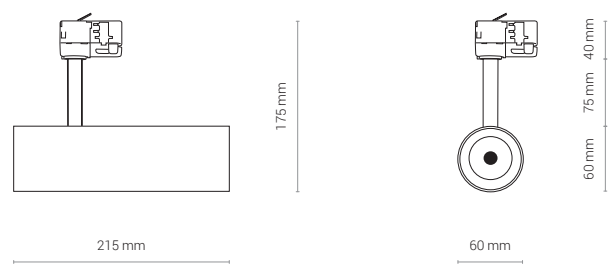


CTLS MILO LED 15W



ZESTAW ZAWIERA
3 SOCZEWKI
3 LENSES INCLUDED
В КОМПЛЕКТЕ 3 ЛИНЗЫ



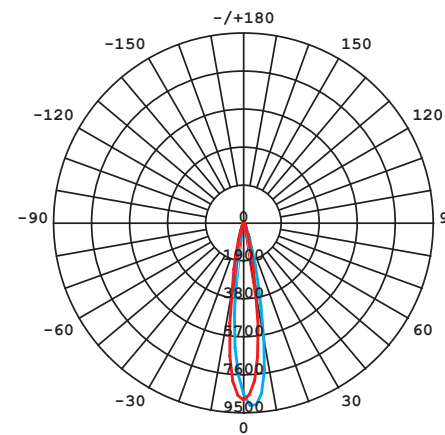
CTLS MILO LED 15W

aluminium / aluminum / алюминий

- 8766 ○ WH - 3000K 8764 ● BL - 3000K
- 8765 ○ WH - 4000K 8763 ● BL - 4000K

Item No.	POWER	COLOUR TEMP.	LUMEN	BEAM ANGLE	CRI	IP	LED BRAND	DRIVER BRAND	LIFETIME	WARRANTY
8766	15W	3000K	1350	18°, 24°, 50°	≥90	20	SAMSUNG	OSRAM	50000h	5 YEARS
8765	15W	4000K	1350	18°, 24°, 50°	≥90	20	SAMSUNG	OSRAM	50000h	5 YEARS
8764	15W	3000K	1350	18°, 24°, 50°	≥90	20	SAMSUNG	OSRAM	50000h	5 YEARS
8763	15W	4000K	1350	18°, 24°, 50°	≥90	20	SAMSUNG	OSRAM	50000h	5 YEARS

LUMINOUS INTENSITY DISTRIBUTION DIAGRAM

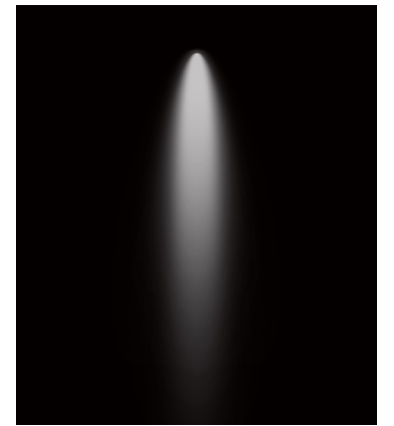


Luminous intensity [cd]
C0-C180 — (red)
C90-C270 — (blue)

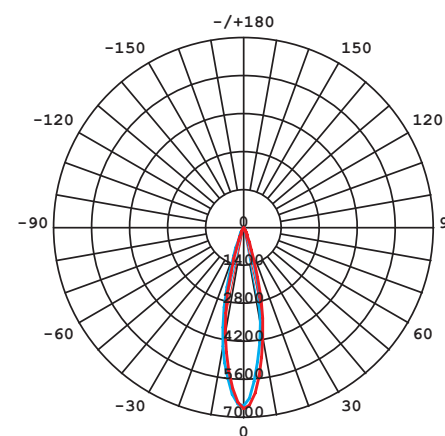
8763, 8764, 8765, 8766, 15W, 3000K, 4000K, beam angle 18°

Beam cone diagram
Beam angle 18°

Distance [m]	Illuminance [lx] 3000K/4000K	Diameter [m]
1 m	9143	0,31
2 m	2286	0,62
3 m	1016	0,93
4 m	571	1,24
5 m	366	1,55
6 m	254	1,86
7 m	187	2,17



LUMINOUS INTENSITY DISTRIBUTION DIAGRAM



Luminous intensity [cd]
C0-C180 — (red)
C90-C270 — (blue)

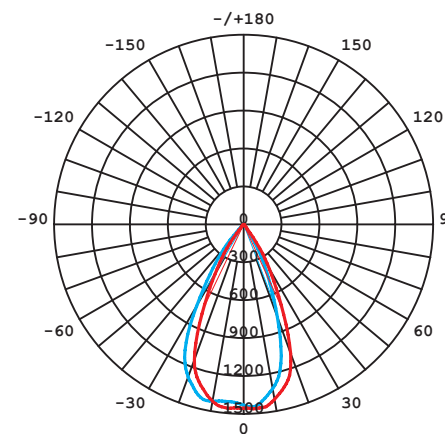
8763, 8764, 8765, 8766, 15W, 3000K, 4000K, beam angle 24°

Beam cone diagram
Beam angle 24°

Distance [m]	Illuminance [lx] 3000K/4000K	Diameter [m]
1 m	6668	0,42
2 m	1667	0,84
3 m	741	1,26
4 m	417	1,69
5 m	267	2,11
6 m	185	2,53
7 m	136	2,95



LUMINOUS INTENSITY DISTRIBUTION DIAGRAM



Luminous intensity [cd]
C0-C180 — (red)
C90-C270 — (blue)

8763, 8764, 8765, 8766, 15W, 3000K, 4000K, beam angle 50°

Beam cone diagram
Beam angle 50°

Distance [m]	Illuminance [lx] 3000K/4000K	Diameter [m]
1 m	1676	0,93
2 m	419	1,87
3 m	186	2,80
4 m	105	3,74
5 m	67	4,67
6 m	47	5,61
7 m	34	6,54

