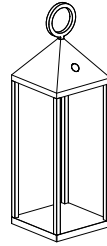


# PICNIC LED

8177

8178

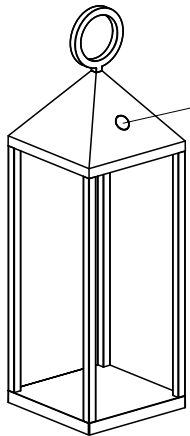


x1



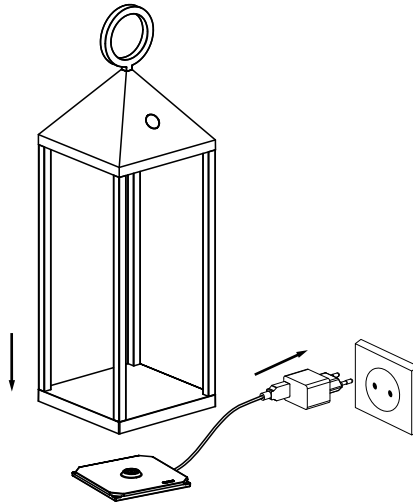
x1

1



Touch-switch  
Dimmable

2



3

