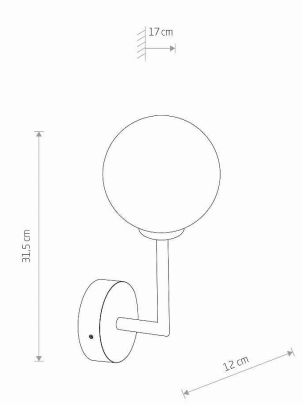



LUMINAIRE MODEL	<b>AGAVE</b>	CATALOGUE GROUP	—
	<b>10526</b>	COUNTRY OF ORIGIN	—
LIGHT SOURCE	<b>G9</b>	DIMENSIONS	
LIGHT SOURCES TYPE	<b>Replaceable</b>		
MAXIMUM WATTAGE	<b>5W</b>		
NUMBER OF LIGHT SOURCES	<b>1</b>		
IP	<b>IP44</b>		
			
PACKAGE DIMENSIONS (L/W/H)	<b>—/—/—</b>		
NET/GROSS WEIGHT	<b>—/—</b>		
LEADING/SUPPLEMENTARY COLOR	<b>Brass,White</b>		
MATERIALS	<b>Brass-plated steel,Glass</b>		
STYLE	<b>Modern</b>		
ELECTRICAL SECURITY CLASS	<b>II</b>		
POWER SUPPLY	<b>~220-230V/50/60Hz</b>		