
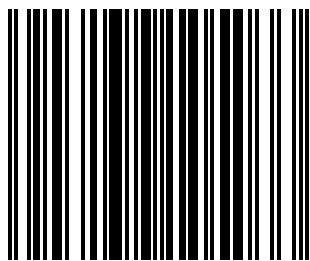
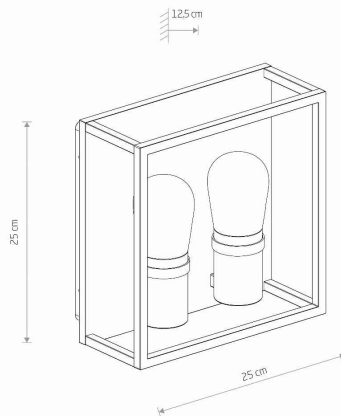


LUMINAIRE MODEL	MARGOT II	CATALOGUE GROUP	—
	10503	COUNTRY OF ORIGIN	—

LIGHT SOURCE	E14
LIGHT SOURCES TYPE	Replaceable
MAXIMUM WATTAGE	6W LED
LAMP INCLUDES SOURCE OF LIGHT	No
NUMBER OF LIGHT SOURCES	2
IP	IP54

DIMENSIONS

	
PACKAGE DIMENSIONS (L/W/H)	28.5cm/15cm/28.5cm
NET/GROSS WEIGHT	1.89kg/2.42kg
ASSEMBLY METHOD	Direct assembly
LEADING/SUPPLEMENTARY COLOR	Graphite
MATERIALS	Painted aluminum, Glass
STYLE	Industrial
ELECTRICAL SECURITY CLASS	I
POWER SUPPLY	~220-230V/50/60Hz



5 9 0 3 1 3 9 1 0 5 0 3 3