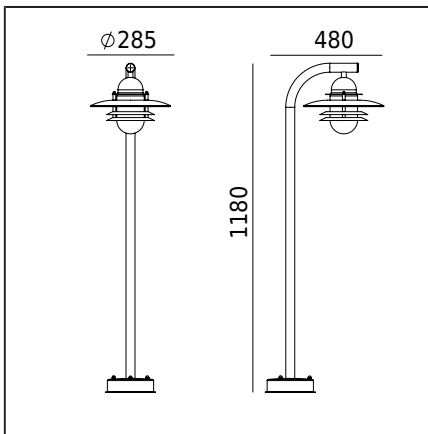




Type of luminaire	
Type of luminaire	Bollard.
Photometric body	Uncovered light.
Characteristics of the luminaire	Scandinavian design luminaire. For lighting private areas and public spaces.

General information	
Materials	Hot-dip galvanized steel. Powder painted steel. Lens - clear polycarbonate, UV stabilized.
Mounting method	Fixing the luminaire: using the included mounting anchor, 3 holes \varnothing 7mm on diameter \varnothing 139mm every 120°.
Terminal	Connection terminals: max 2x2,5mm ² , possibility to connect luminaire in loop max 2x1,5mm ² . A round wire in the isolation with a diameter of max \varnothing 12mm.
Type of light source	E27 lamp
Net / gross weight of luminaire	3,82kg / 5,5kg



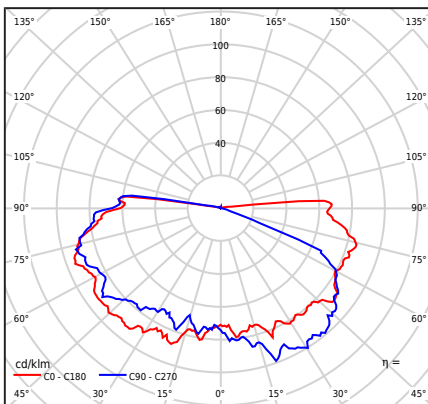
Technical data	
E27 lamp	QA55 / LED A55..60
Light source wattage	MAX 57W / LED 9W

This product contains light source of energy efficiency class **A+ D**

Recommended light sources	
Osram LED Parathom Classic E27	Philips Master LEDbulb / Ledbulb Classic E27
Osram ECO PRO Classic 46<=>60W E27	Philips ECO Classic 42<=>60W E27

Spare parts	
06240003	Lens.

Files to download	
Photometric LDT files	Photometric IES files
Manual	



Indexes		
Index	Color	RAL
245B	BLACK	9005
245GA	GALVANIZED	-

