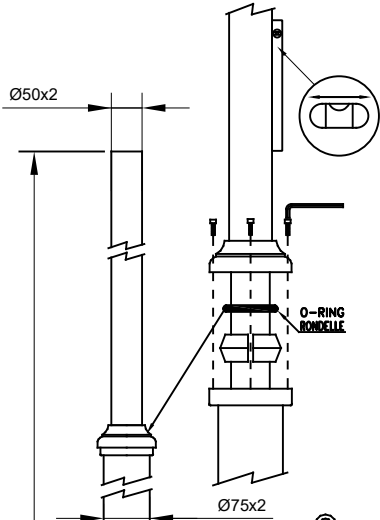
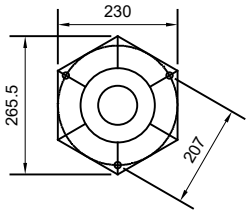
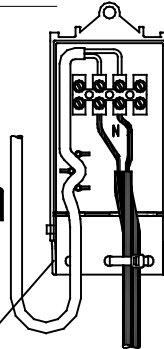


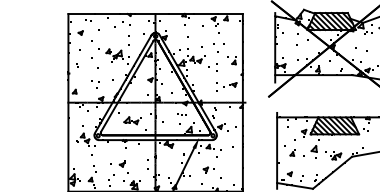
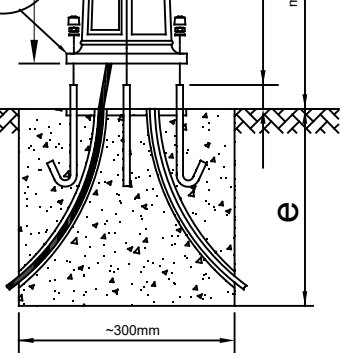
Art.3010



Min 120 - Max 220

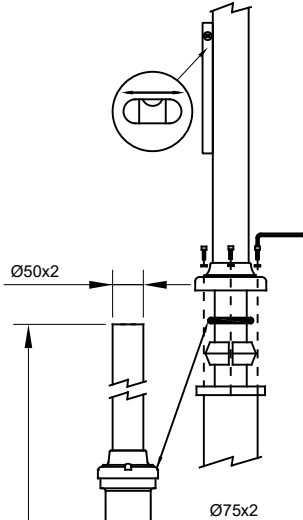
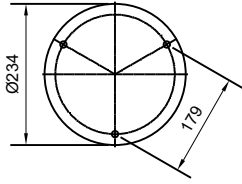


max 26.5mm
min 22.5mm
min 450mm

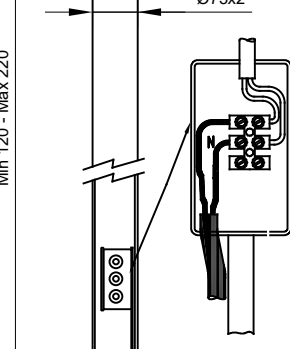


Art.305 or 306

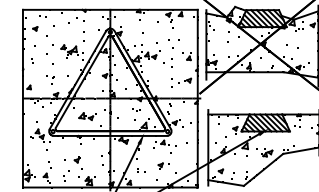
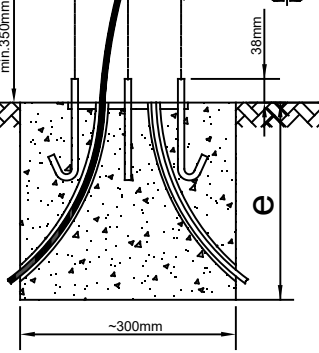
Art.3011



Min 120 - Max 220

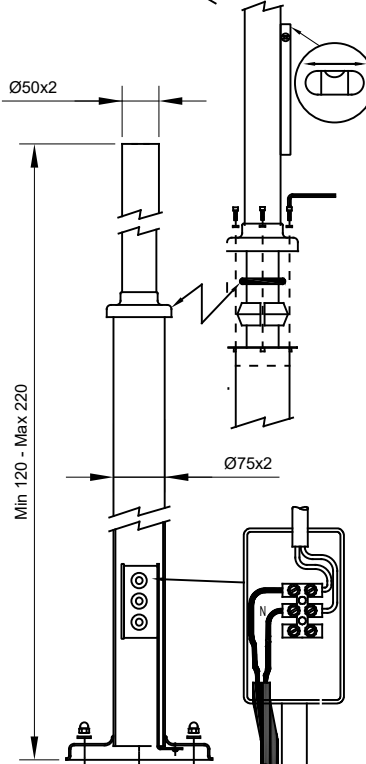
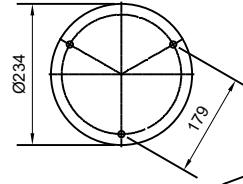


min 350mm
38mm

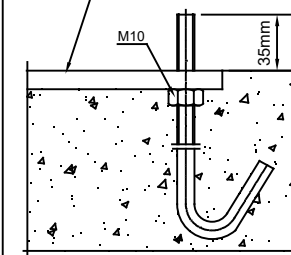
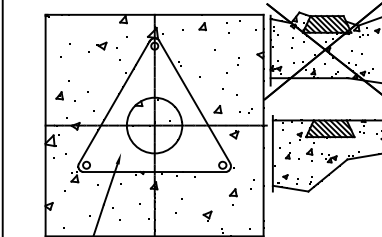
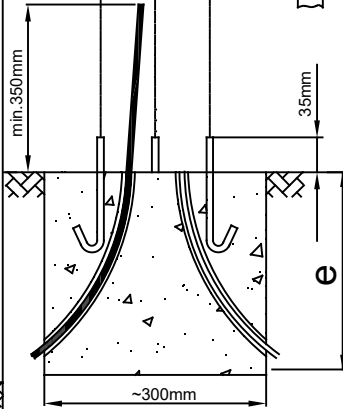
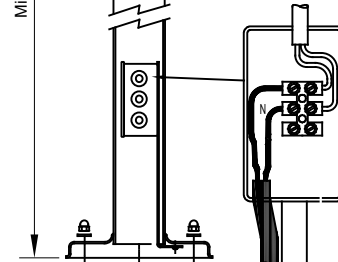


Art.405 or 406

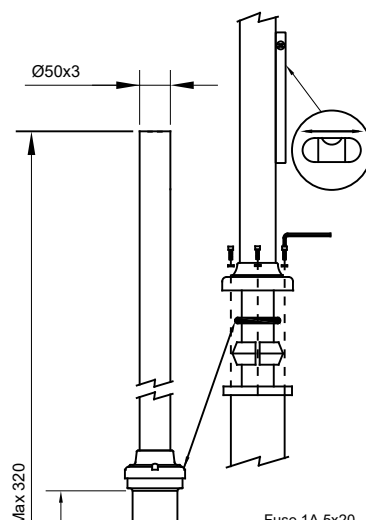
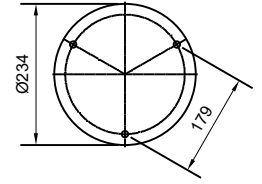
Art.3009



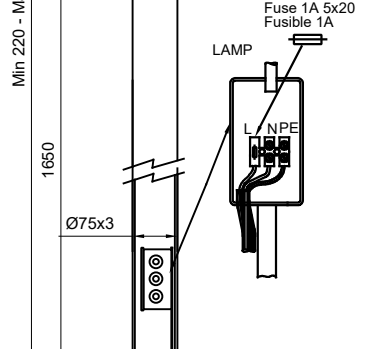
Min 120 - Max 220



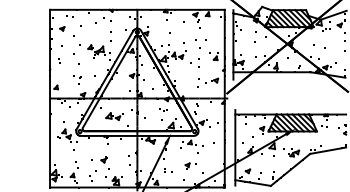
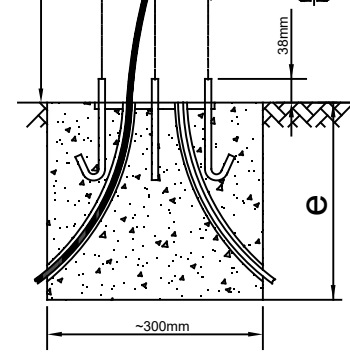
Art.: 1270



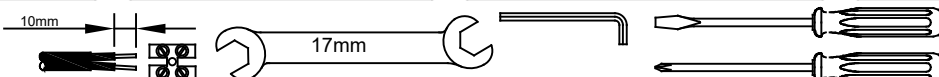
Min 220 - Max 320



1650
Ø75x3
38mm



Art.405 or 406



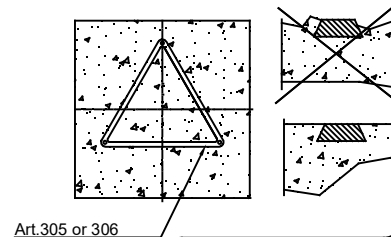
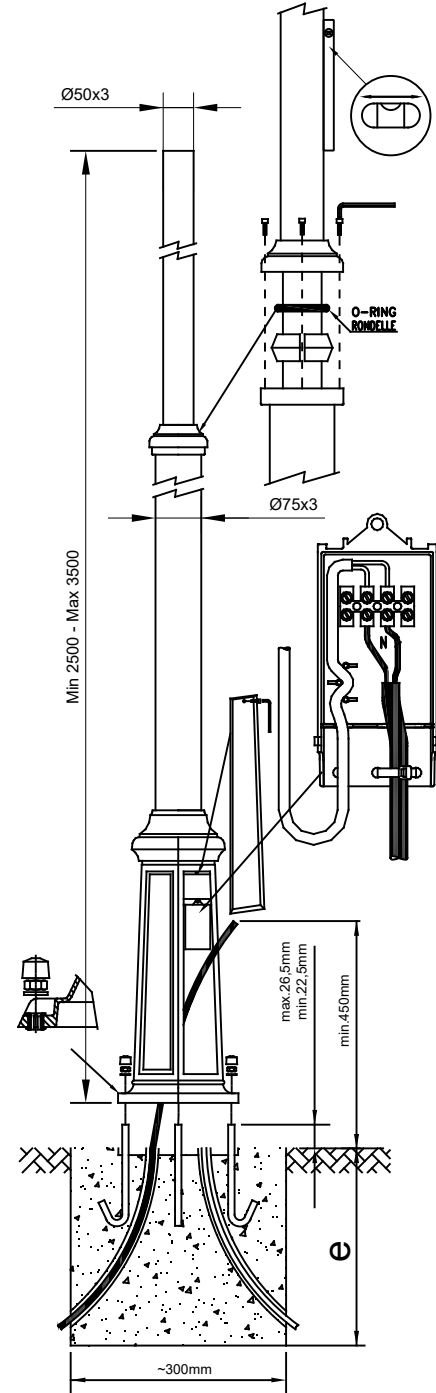
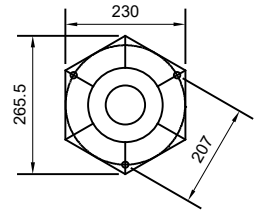
Installation:

Pole must be set up into a concrete foundation.

The size of the concrete foundation must be calculated according to standard EN 40-1 for pole and luminaire together and depends on the ground, wind and weather condition in the place of assembly

Nominal Height / Wysokość Nominalna	Minimal depth of foundation / Minimalna głębokość posadowienia		
H [m]	e [mm]		
≤ 5	600	800	1000
6	800	1000	1200
7, 8	1000	1200	1500
9, 10	1200	1500	1700
12	1500	1700	2000
14	1500	2000	2500
15	1500	2000	2500
16	1500	2000	2500
18	1500	2000	2500
20	1800	2000	2500

Art.30101



Art.305 or 306

