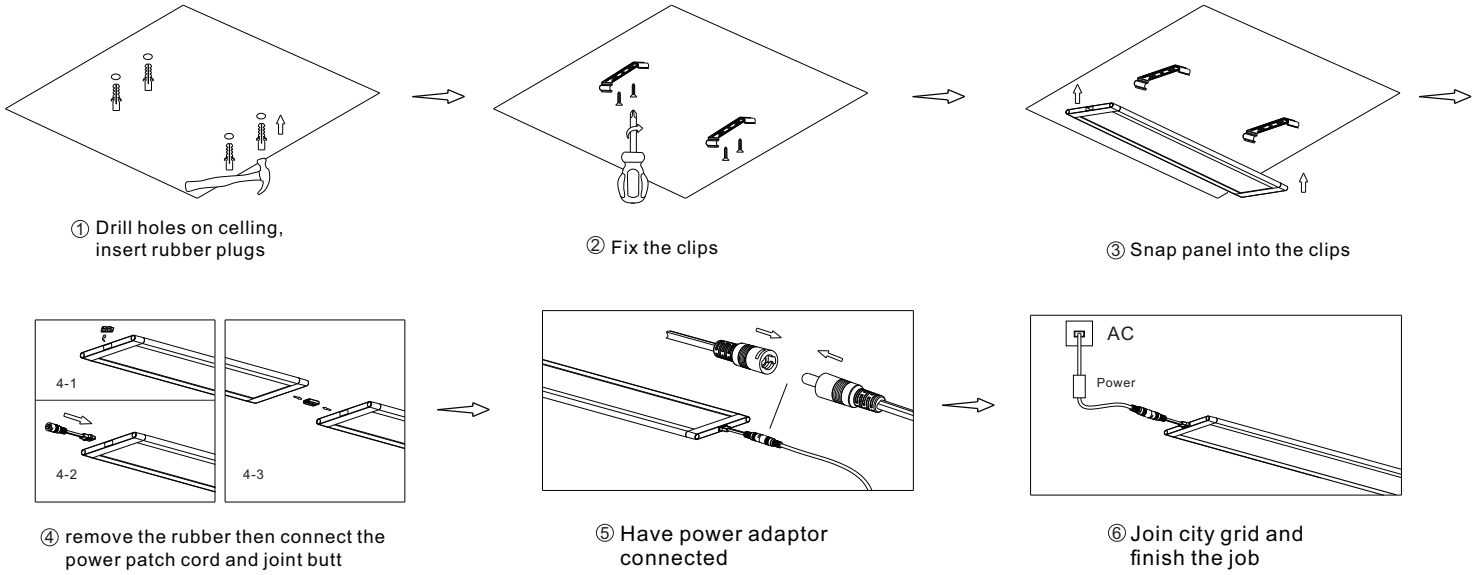
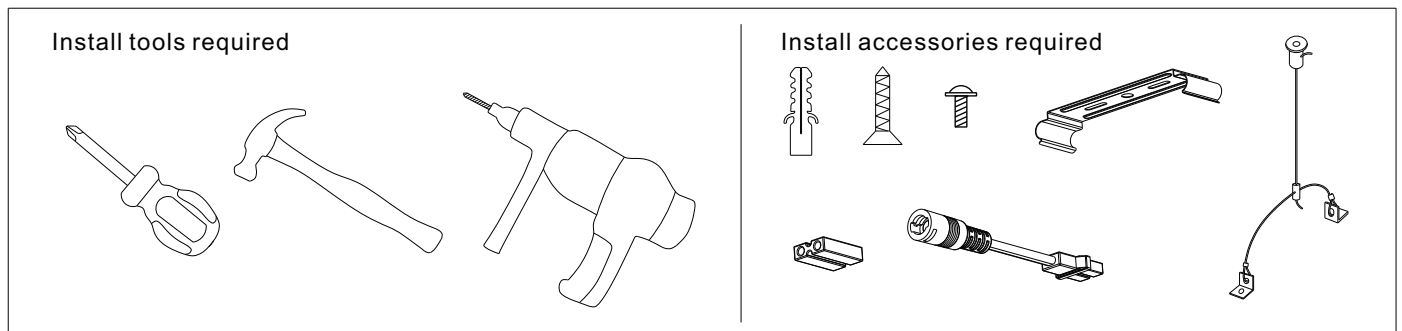
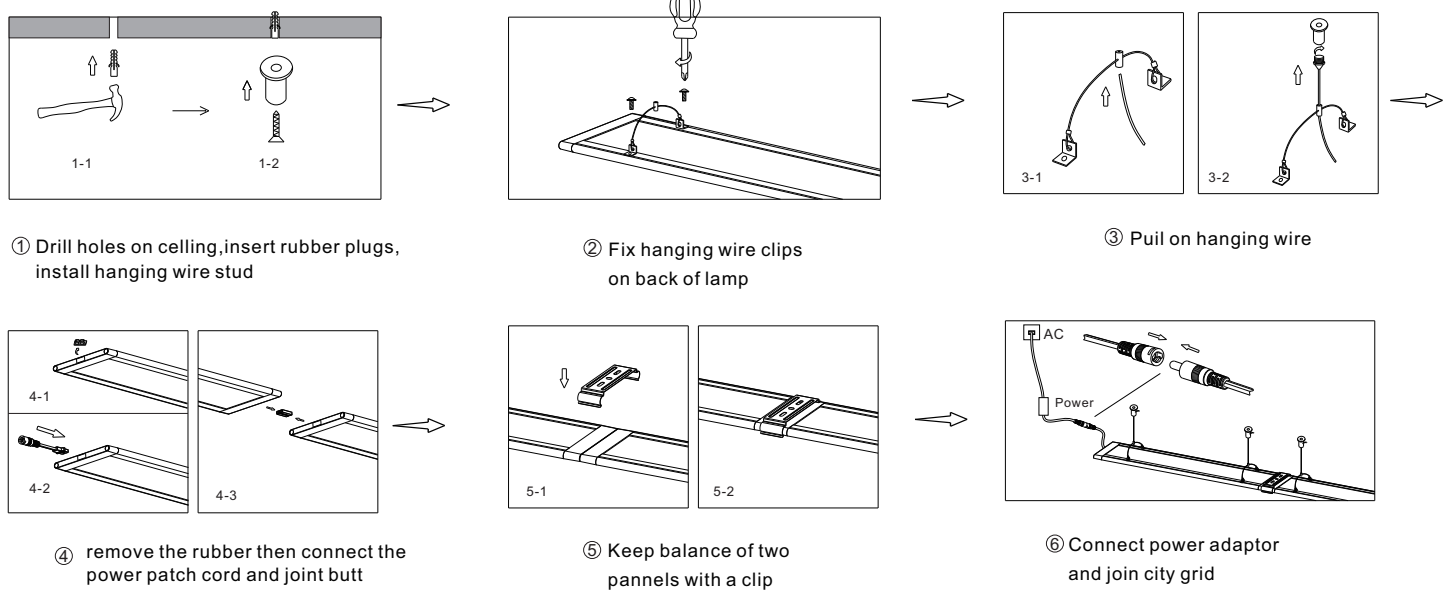


## 1. Ceiling mounted installation



## 2. Suspending installation



**Remark:** AC cable should be purchased & installed according customer application needs.