

L U C I D E

## GENERAL SPECIFICATIONS



item number : 79149/09/31

EAN code : 5411212791085

**KINI-LED****General****Dimensions LxWxH :** 54.9 cm x 2.28 cm x 3.6 cm**Height minimum :** -**Height maximum :** -**Dimensions shade LxWxH :** -**Main material :** -**Ceiling rose material :** -**Color :** White**Style :** -**Shape :** Batten**Weight :** 0.155 kg**Warranty :** 3 years**Product specifications****Dimmable :** No**Light direction :** Around (Diffuse)**Adjustable in height :** -**Directional :** -**Cable :** With Cable**Cable length :** 180 cm**Sensor :** Without Sensor**Control :** On/Off Switch On Lamp Body**IP-Class :** 20**Electric class :** 2**Light source including ?:** -**Lamp socket :** -**Light source number :** 2835 SMD LED X51 pcs**Power requirements :** 220-240V~50Hz**Bulb type & maximum wattage :** 9W LED

For more specifications of this product please visit

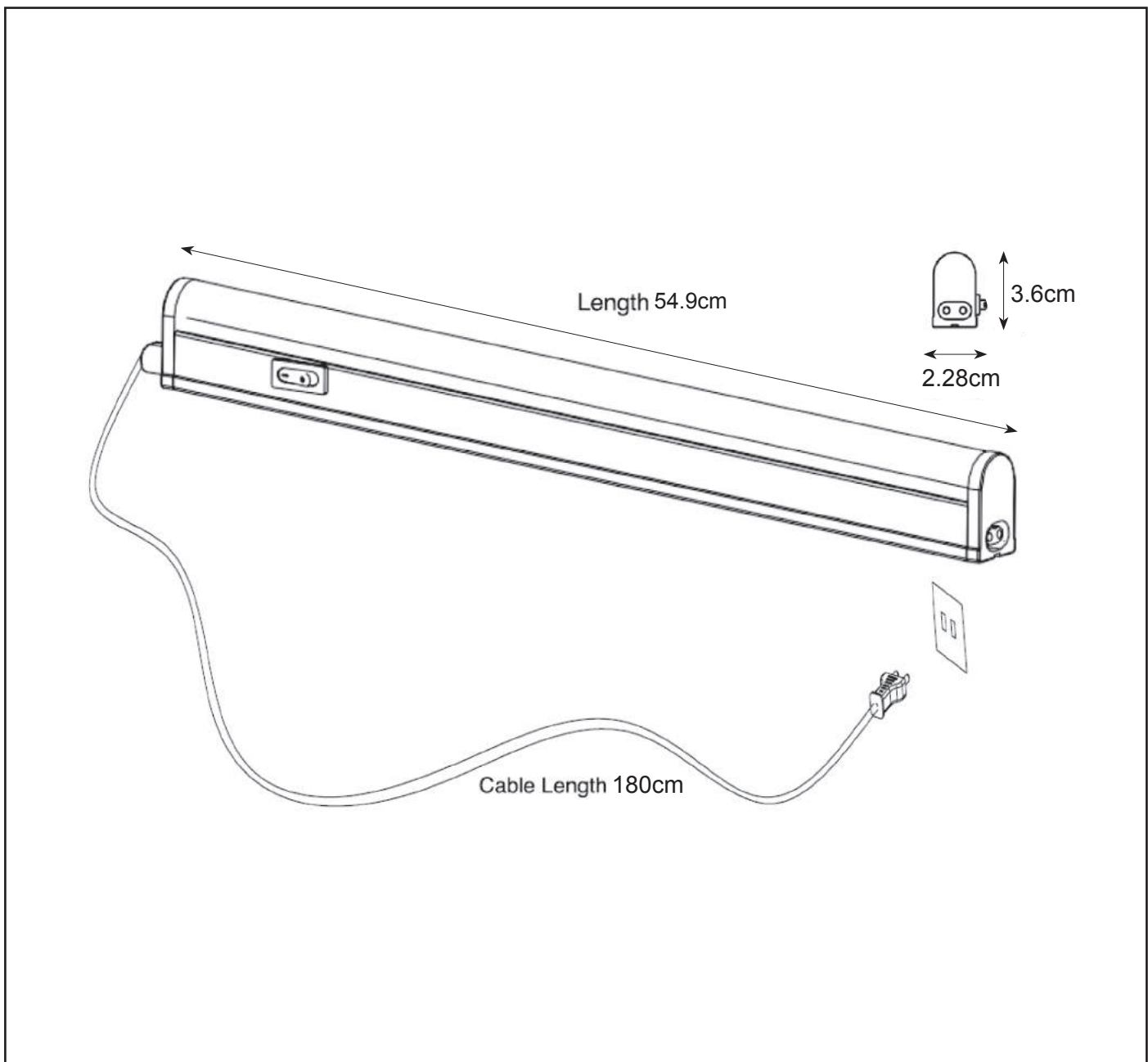
**[www.lucide.com](http://www.lucide.com)**

LUCIDE

TECHNICAL DRAWING & DIMENSIONS

## KINI-LED

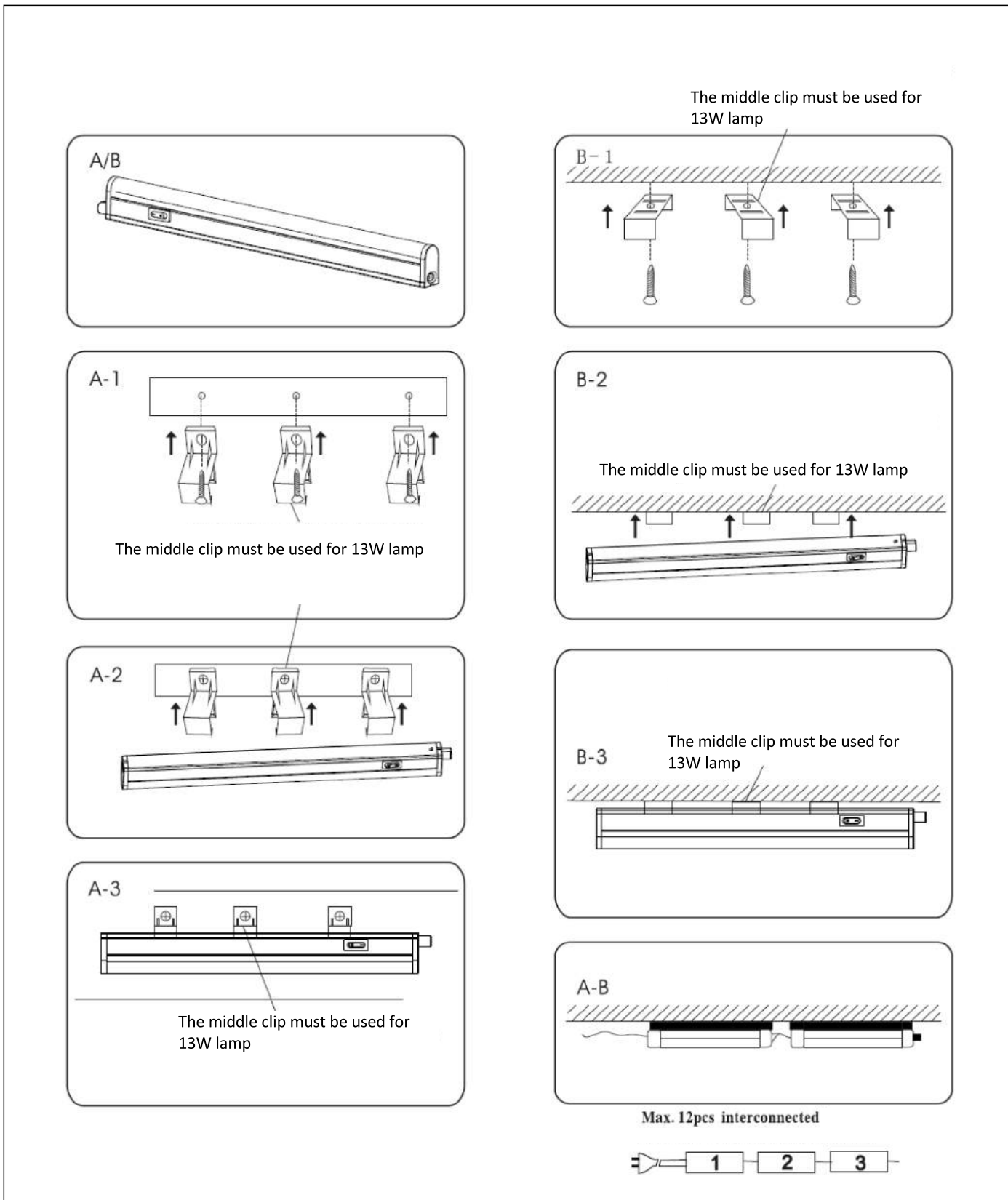
Item number : 79149/09/31  
EAN code : 5411212791085



For more specifications, dimensions please visit  
[www.lucide.com](http://www.lucide.com)

# LUCIDE

## INSTALLATION DRAWING SPECIFICATIONS



Dit product bevat een lichtbron van energie-efficiëntieklasse G (oude klasse A+).  
 Ce produit contient une source lumineuse de classe énergétique G (ancienne classe A+).  
 This product contains a light source of energy efficiency class G (old class A+).  
 Dieses Produkt enthält eine Lichtquelle der Energieeffizienzklasse G (alte Klasse A+).  
 Ten produkt zawiera ród o wiat a o klasie efektywno ci energetycznej G (stara klasa A+).