

LUCIDE



**RECOMMENDED  
LUCIDE LIGHT  
SOURCE**

**490 41/12/30**

**Light source dimmable :**  
Yes, Dim to warm

**Light source incl. :** Yes

**General**

**Dimensions LxWxH :** 12 cm x 12 cm x 20 cm

**Height minimum :** -

**Height maximum :** 20 cm

**Dimensions shade LxWxH :** cm x cm x cm

**Main material :** Steel+aluminium

**Ceiling rose material :** Steel

**Color :** Sandy black/Sandy white

**Style :** Modern

**Shape :** As shown

**Weight :** 1.7 kg

**Warranty :** 2 years

**Product specifications**

**Dimmable :** Yes

**Light direction :** Around (Head)

**Adjustable in height :** -

**Directional :** 330/120 degree

**Cable :** Yes, Cable on product

**Cable length :** 15cm

**Sensor :** Without Sensor

**Control:** Light Switch Control

**IP-Class :** 20

**Electric class :** 1

**Light source including ?:** Yes

**Lamp socket :** GU10

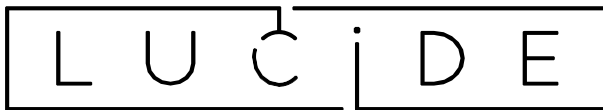
**Light source number :** 1

**Power requirements :** 220-240V~50Hz

**Bulb type & maximum wattage :** GU10 max.12W

For more specifications of this product please visit

**[www.lucide.com](http://www.lucide.com)**



TECHNICAL DRAWING & DIMENSIONS

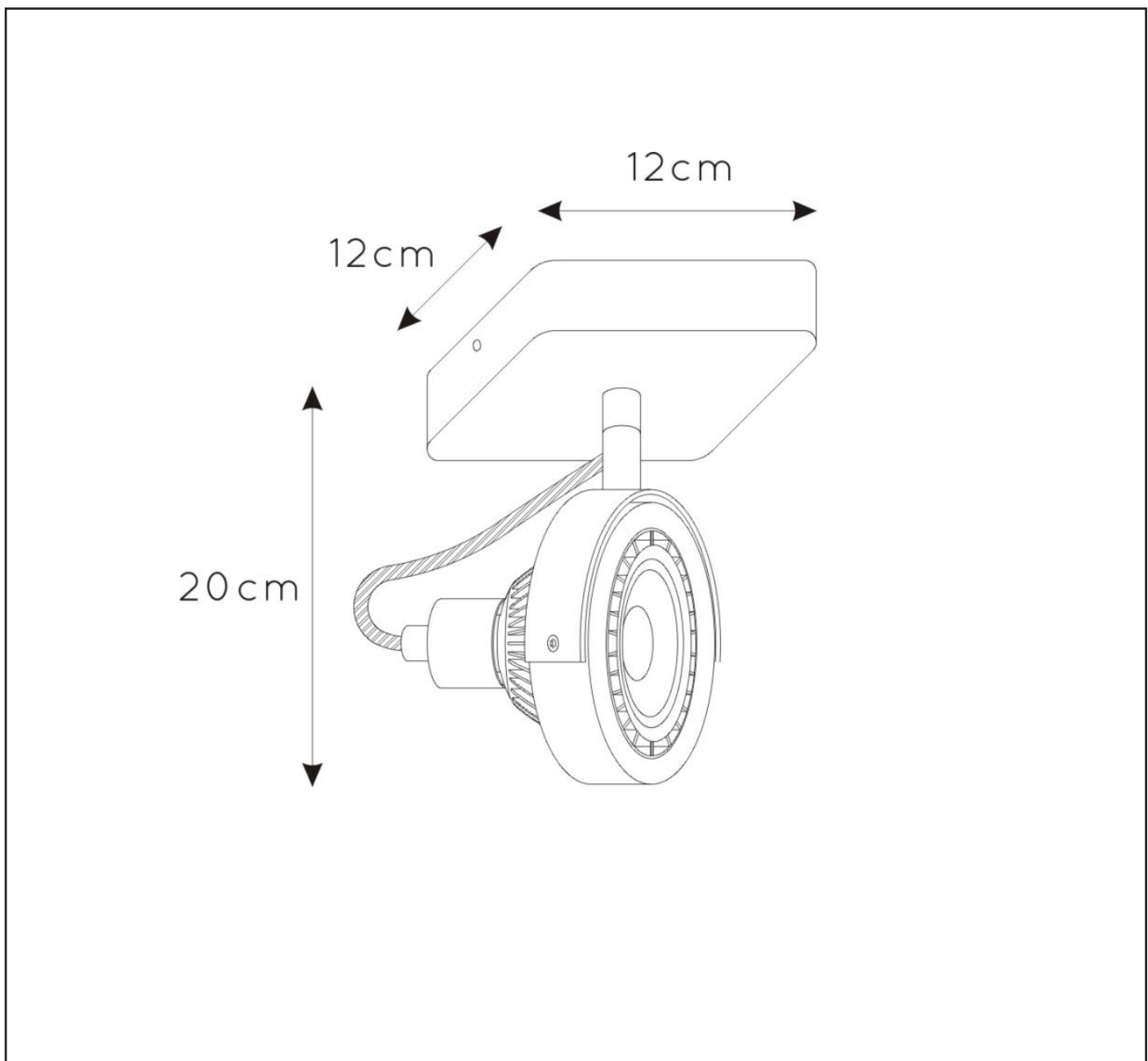
## TALA LED

Item number :31931/12/3

EAN code : 5411212315694

Item number :31931/12/31

EAN code : 5411212315700

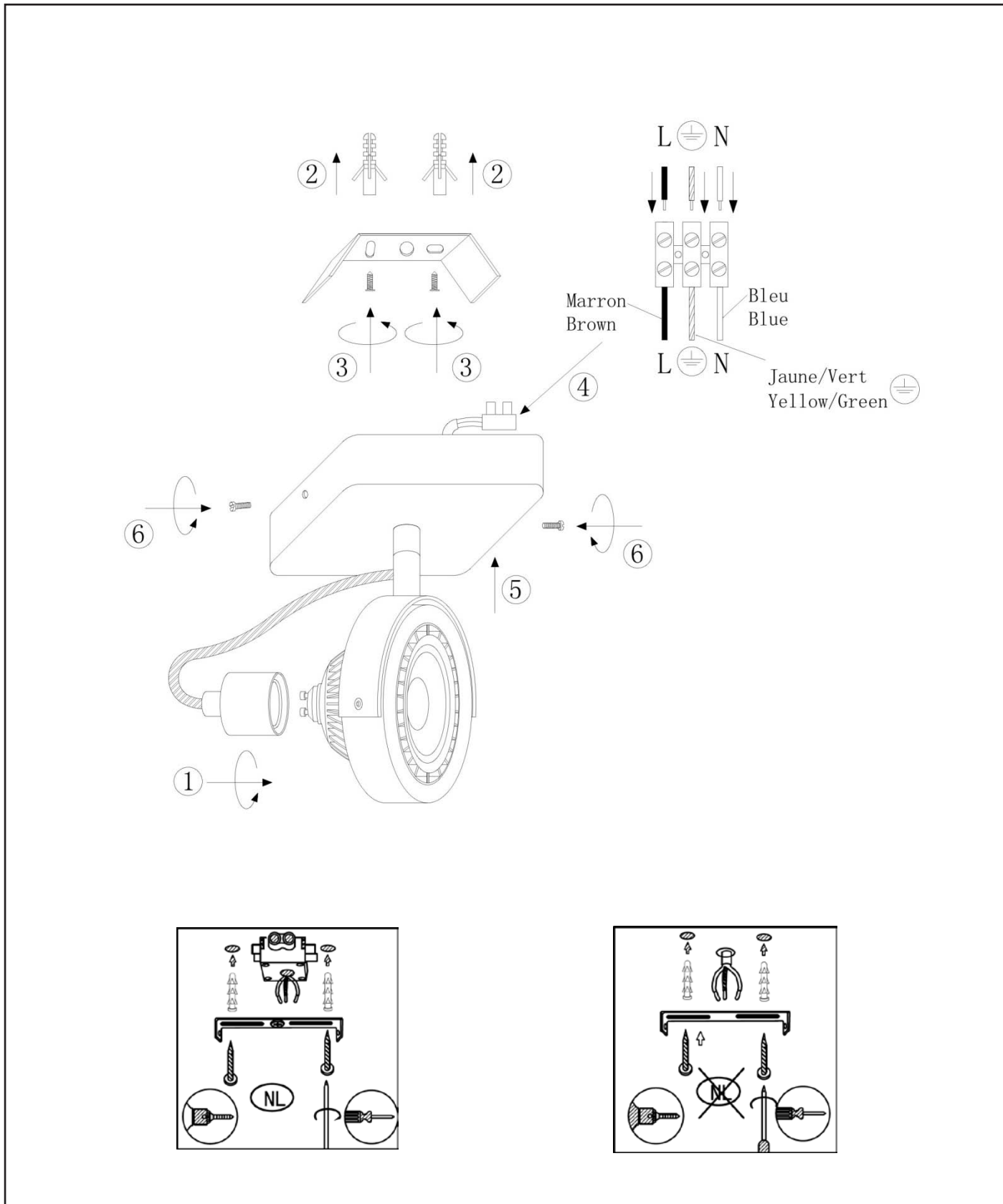


For more specifications, dimensions please visit

[www.lucide.com](http://www.lucide.com)

# LUCIDE

## INSTALLATION DRAWING SPECIFICATIONS



Dit product bevat een lichtbron van energie-efficiëntieklasse A.  
 Ce produit contient une source lumineuse de classe énergétique A.  
 This product contains a light source of energy efficiency class A.  
 Dieses Produkt enthält eine Lichtquelle der Energieeffizienzklasse A.  
 Ten produkt zawiera ród o wiat a o klasie efektywno ci energetycznej A.