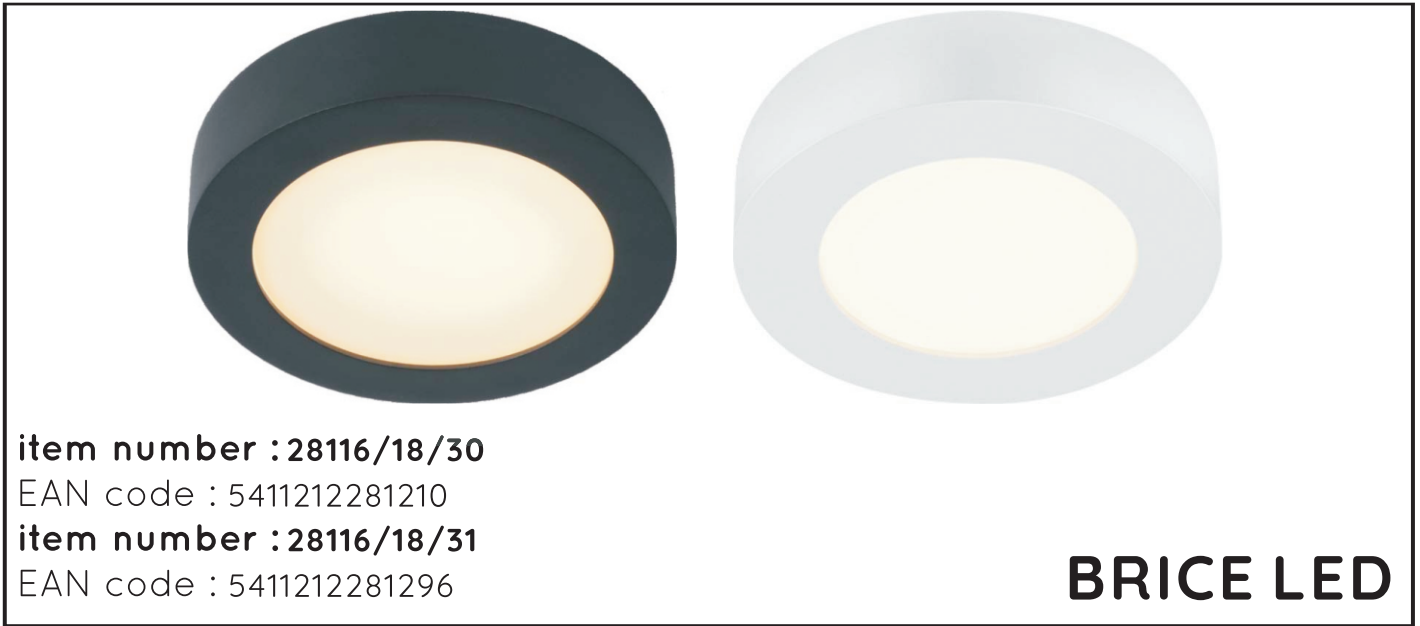


# LUCIDE

## GENERAL SPECIFICATION



**item number : 28116/18/30**

EAN code : 5411212281210

**item number : 28116/18/31**

EAN code : 5411212281296

## BRICE LED

### General

**Dimensions LxWxH :** 18cmx18cmx3,9cm

**Height minimum :** 3,9cm

**Height maximum :** 3,9cm

**Dimensions shade LxWxH :** -

**Main material :** Aluminum, PMMA

**Ceiling rose material :** -

**Color :** Matt black&Matt white

**Style :** Modern

**Shape :** Round

**Weight :** 0,7 kg

**Warranty :** 3 years

### Installation of items in bathroom:

### Product specifications

**Dimmable :** Yes

**Light direction :** Around(diffuser)

**Adjustable in height :** Not adjustable In Height  
(Before Installation)

**Directional :** 110°

**Cable :** No cable On Product

**Cable length :** - cm

**Sensor :** Without Sensor

**Control :** Light Switch Control

**IP-Class :** 44

**Electric class :** 2

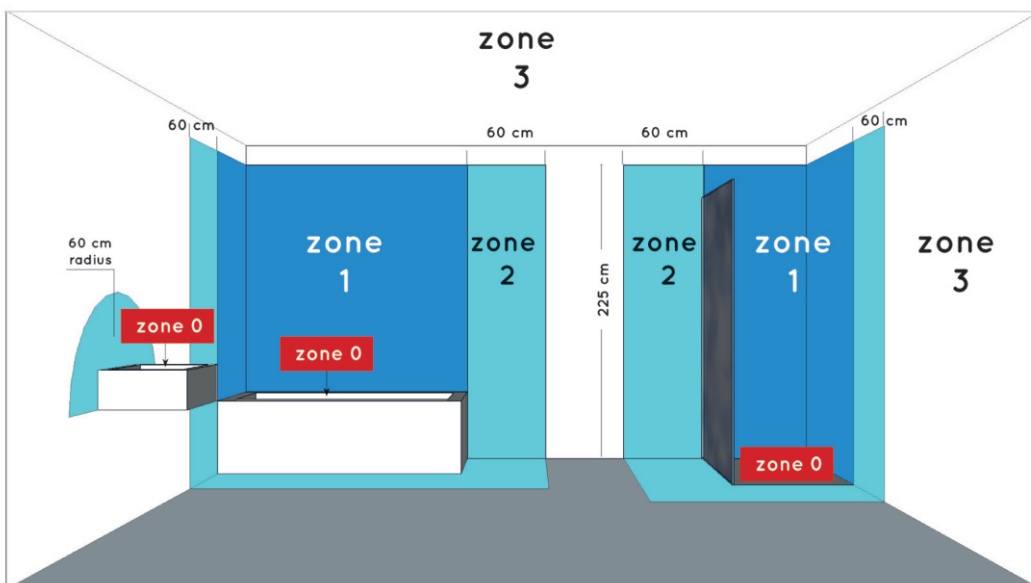
**Light source including ?:** Yes

**Lamp socket :** No

**Light source number :** 54

**Power requirements :** 220-240V~50Hz

**Bulb type & maximum wattage :** SMD 4014 LED 11W



### IP classifications

zone 0



zone 1  
minimum



zone 2  
minimum



zone 3  
minimum



For more specifications of  
this product please visit  
[www.lucide.com](http://www.lucide.com)

LUCIDE

TECHNICALDRAWING & DIMENSIONS

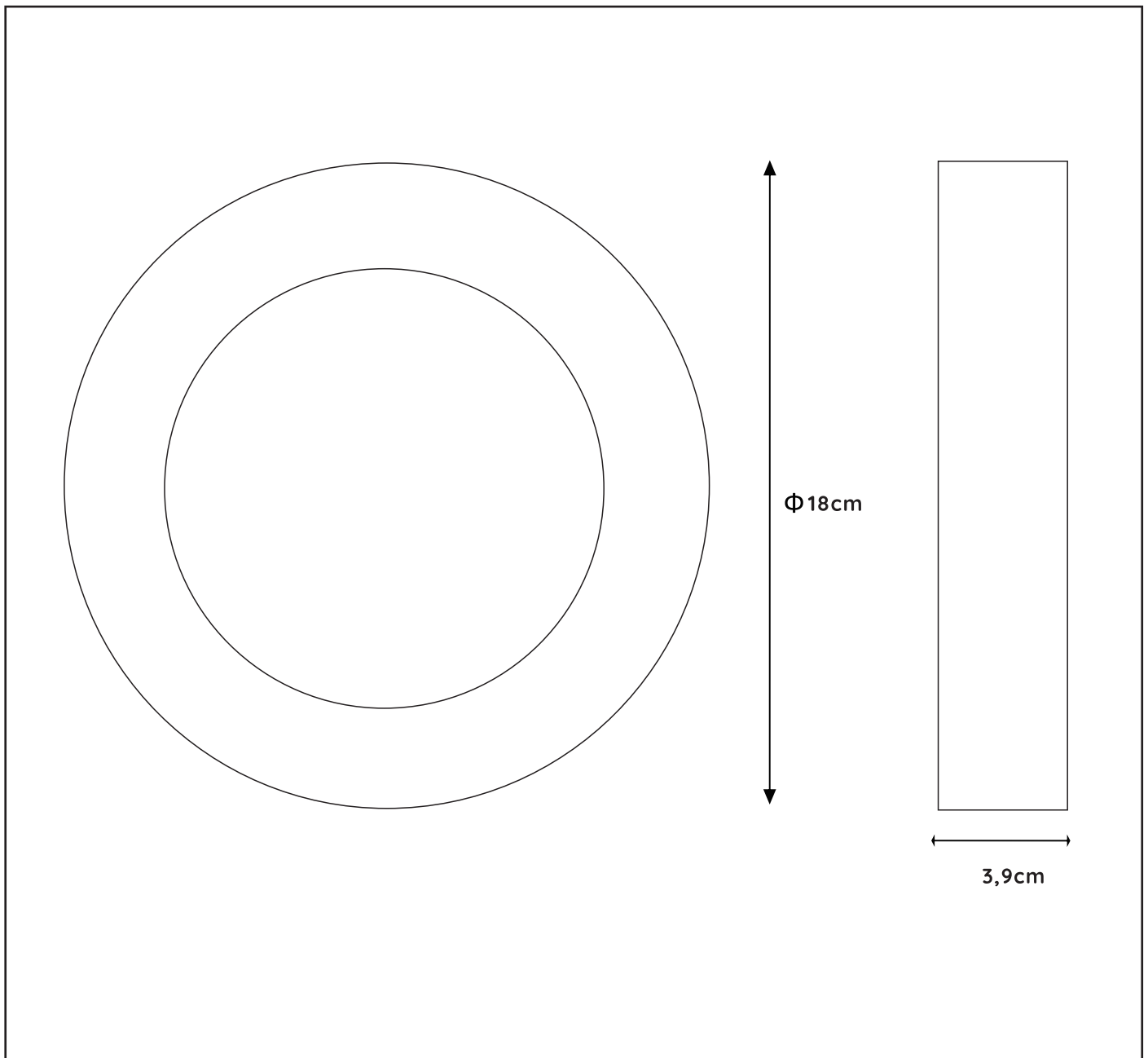
## BRICE LED

Item number :28116/18/30

EAN code :5411212281210

Item number :28116/18/31

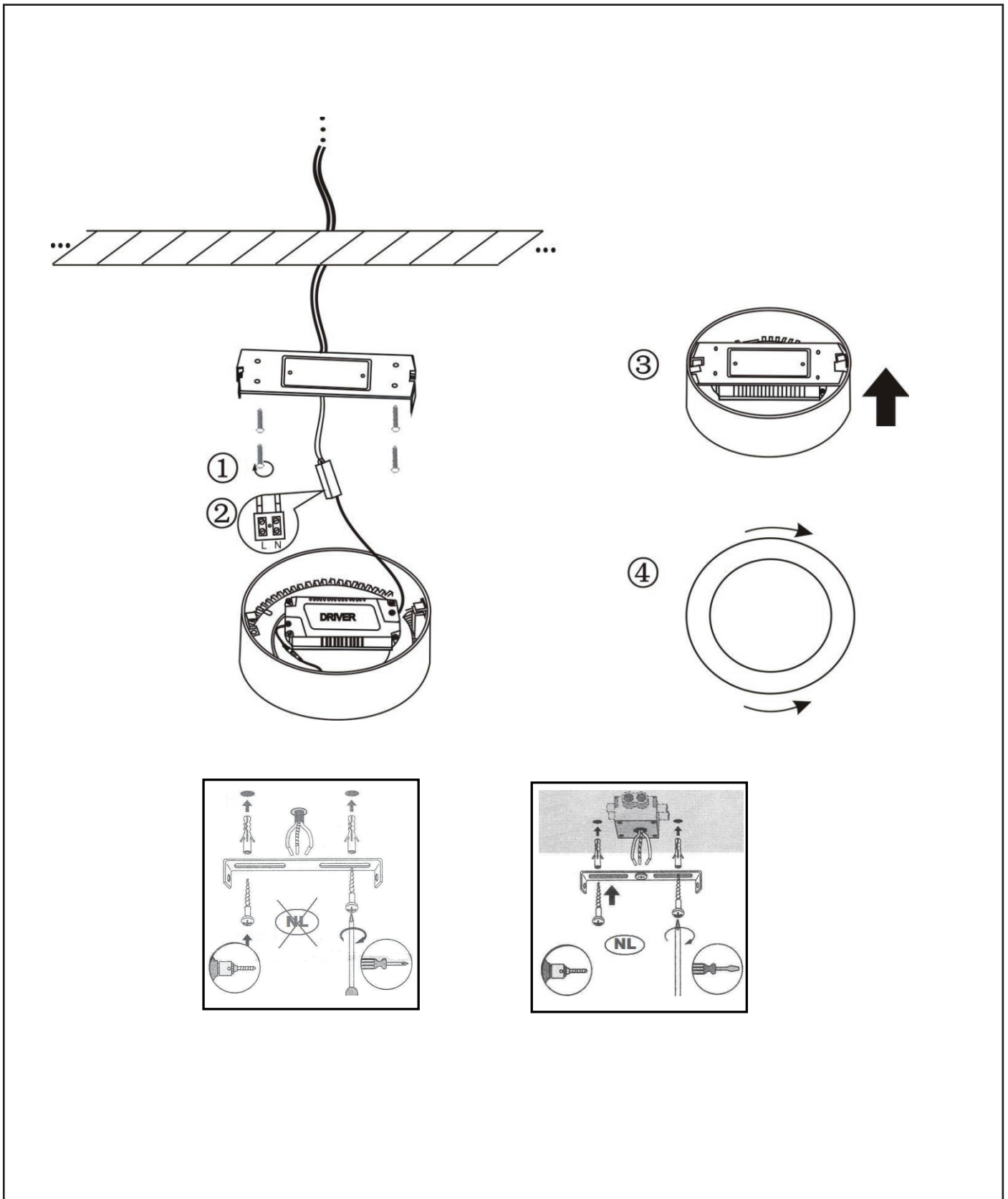
EAN code :5411212281296



For more specifications, dimensions please visit

[www.lucide.com](http://www.lucide.com)

## INSTALLATION DRAWING SPECIFICATIONS



Dit product bevat een lichtbron van energie-efficiëntieklasse G  
 Ce produit contient une source lumineuse de classe énergétique G  
 This product contains a light source of energy efficiency class G  
 Dieses Produkt enthält eine Lichtquelle der Energieeffizienzklasse G  
 Ten produkt zawiera ród o wiat a o klasie efektywno ci energetycznej G