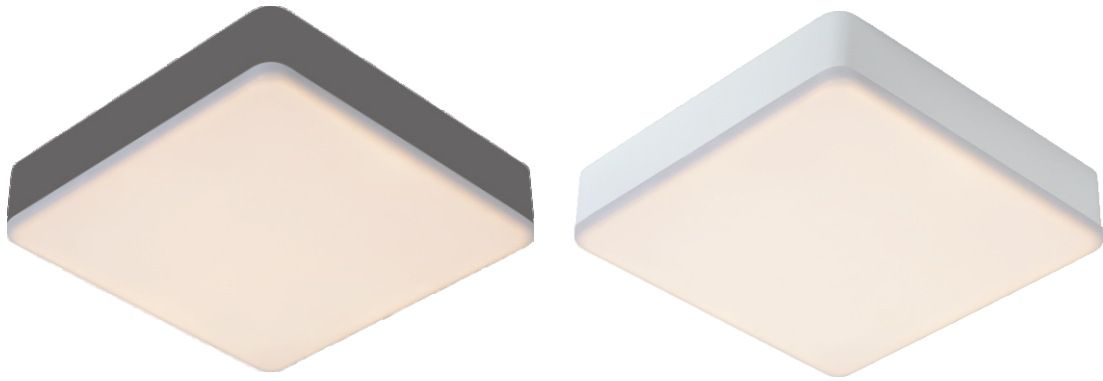


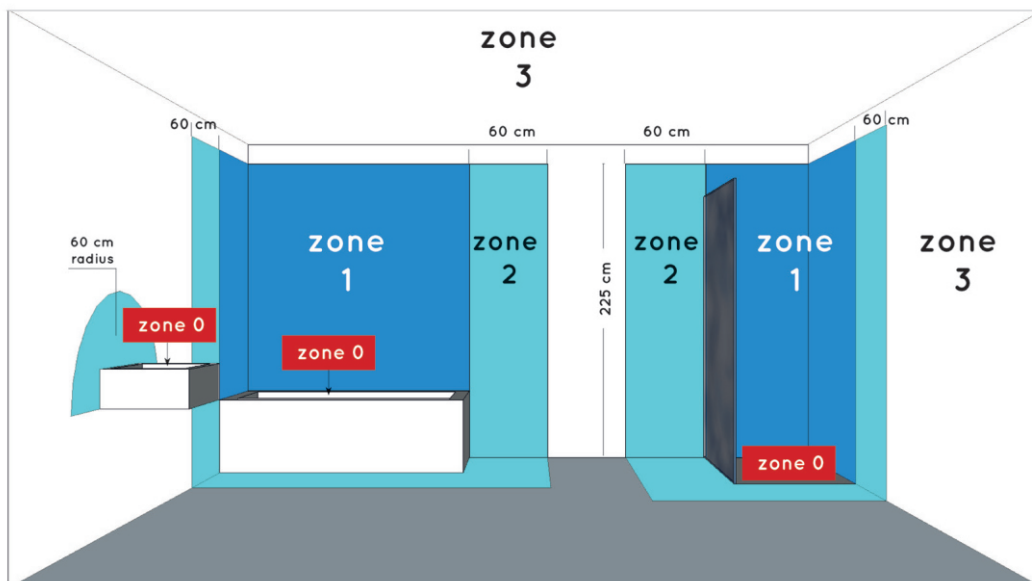
L U C I D E

**item number : 28113/30/30**

EAN code : 5411212281142

item number : 28113/30/31

EAN code : 5411212281159

CERES LED**General****Dimensions LxWxH :** 21,5 cm x 21,5 cm x 4,6 cm**Heigth minimum :** 4,6 cm**Heigth maximum :** 4,6 cm**Dimensions shade LxWxH :** 21,5 cm x 21,5cm x 0,92 cm**Main material :** Aluminum, PMMA,Plastic**Ceiling rose material :** -**Color :** Matt black&Matt white**Style :** Modern**Shape :** Square**Weight :** 1,05 kg**Warranty :** 3 years**Installation of items
in bathroom:****Product specifications****Dimmable :** Yes**Light direction :** Around (Diffuse)**Adjustable in heigth :** Not adjustable In Height
(Before Installation)**Directional :** 120°**Cable :** No Cable On Porduct**Cable length :** -**Sensor :** Without Sensor**Control :** Light Switch Control**IP-Class :** Recessed 66, Surface mounted 44**Electric class :** 2**Light source including ? :** Yes**Lamp socket :** No**Light source number :** 152pcs**Power requirements :** 220-240V~50Hz**Bulb type & maximum wattage :** SMD 2016 LED,30W

IP classifications

zone 0

zone 1
minimum

IP65

zone 2
minimum

IP44

zone 3
minimum

IP21

For more specifications of
this product please visit
www.lucide.com

LUCIDE

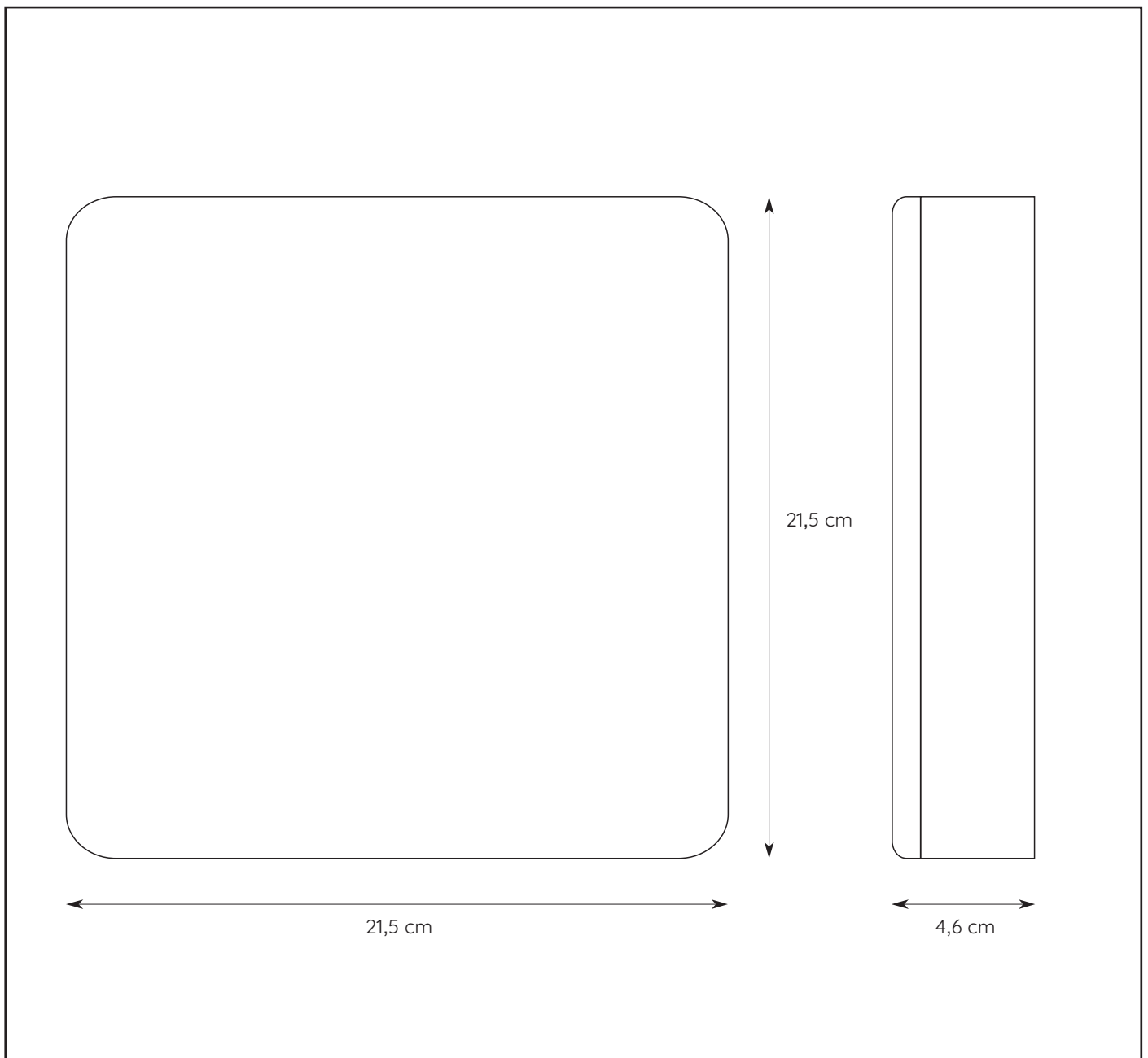
CERES LED

Item number : 28113/30/30

EAN code : 5 411212281142

Item number : 28113/30/31

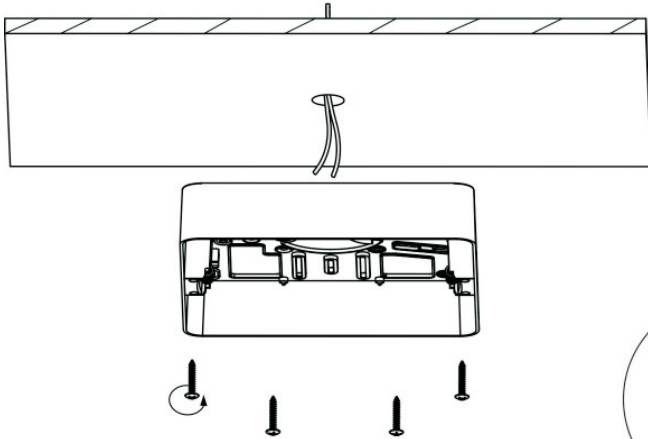
EAN code : 5 411212281159



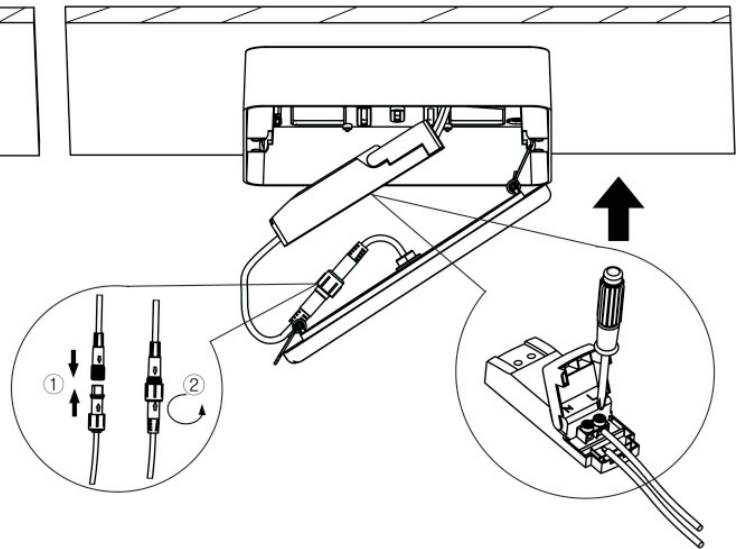
For more specifications, dimensions please visit
www.lucide.com

Surface mounted installation(IP44)
 Opbouw montage(IP44)
 Plafonnier(IP44)
 Aufbaumontage(IP44)

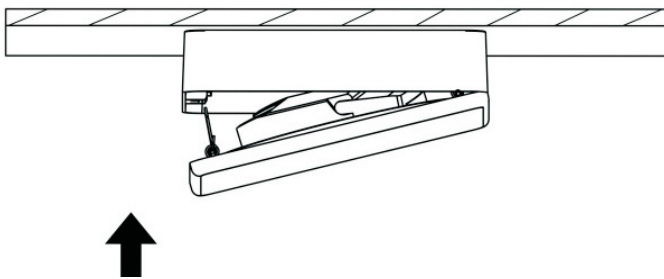
①



②



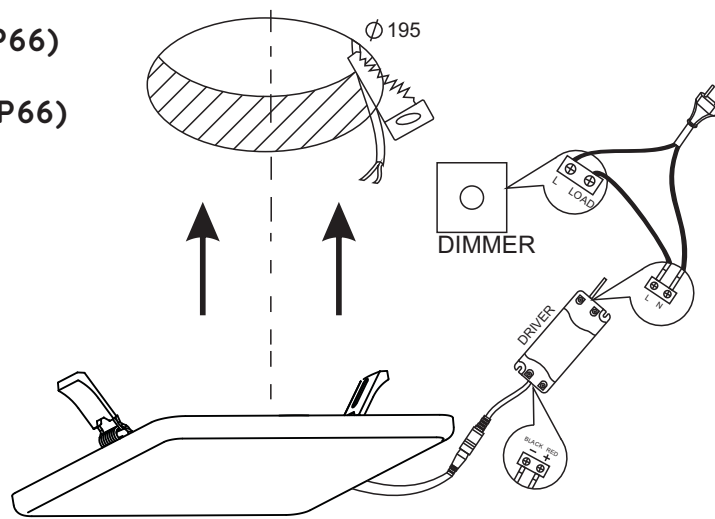
③



④



Recessed installation(IP66)
 Inbouw(IP66)
 Installation encastrée(IP66)
 Einbau(IP66)



Dit product bevat een lichtbron van energie-efficiëntieklasse G
 Ce produit contient une source lumineuse de classe énergétique G
 This product contains a light source of energy efficiency class G
 Dieses Produkt enthält eine Lichtquelle der Energieeffizienzklasse G
 Ten produkt zawiera ród o wiat a o klasie efektywno ci energetycznej G