

LUCIDE

GENERAL SPECIFICATIONS



RECOMMENDED LUCIDE  
LIGHT SOURCE

**49041/12/30**

Light source dimmable : Yes Dim to warm

Light source incl. : Yes

**General**

**Dimensions LxWxH :** 16.0 cm x 13.3 cm x 16.0 cm

**Height minimum :**

**Height maximum :** 16.0 cm

**Dimensions shade LxWxH :** 13.3 cm x 13.3 cm x 10.0 cm

**Main material :** Aluminium

**Ceiling rose material :** Metal

**Color :** Black,White

**Style :** Modern

**Shape :** Rectangle

**Weight :** 0.89 kgs

**Warranty :** 2 years

**Product specifications**

**Dimmable :** Yes Dim to warm

**Light direction :** Around (Diffuse)

**Adjustable in height :** Not In Height Adjustable

**Directional :** Rotatable & Tilttable (360 Degrees)

**Cable :** No

**Cable length :**

**Sensor :** Without Sensor

**Control :** Light Switch Control

**IP-Class :** 20

**Electric class :** 1

**Light source including ?:** Yes

**Lamp socket :** GU10

**Light source number :** 1

**Power requirements :** 220-240V-50Hz

**Bulb type & maximum wattage :** GU10 Max.50W  
(GU10 12W LED Incl.)

For more specifications of this product please visit

[www.lucide.com](http://www.lucide.com)

L U C I D E

TECHNICAL DRAWING &amp; DIMENSIONS

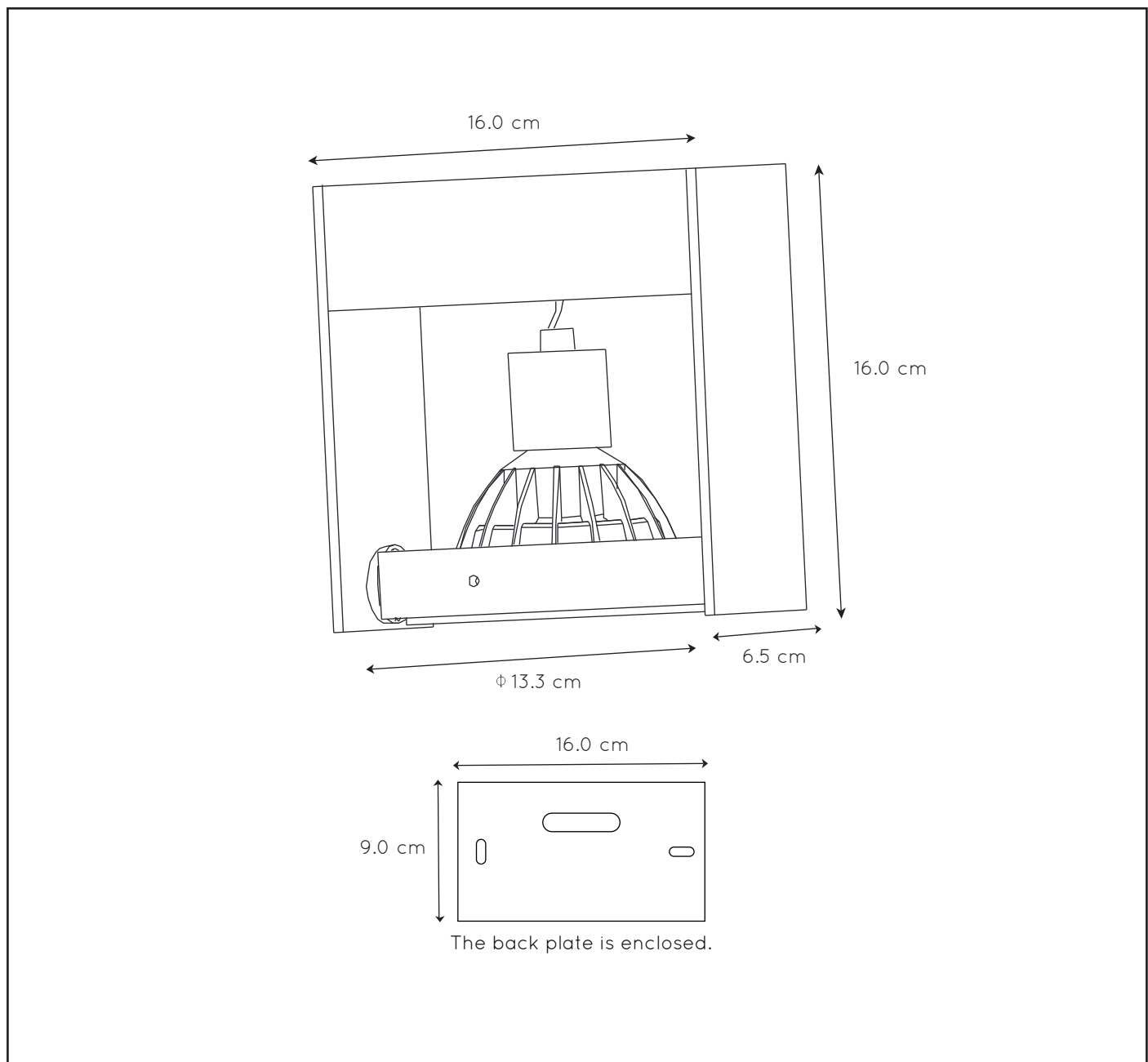
# GRIFFON

Item number : 22969/12/30

EAN code : 5411212221315

Item number : 22969/12/31

EAN code : 5411212221322



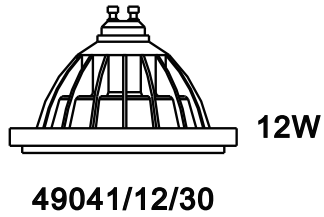
For more specifications, dimensions please visit

[www.lucide.com](http://www.lucide.com)

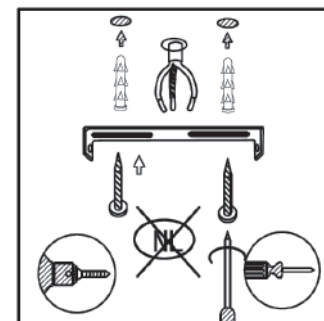
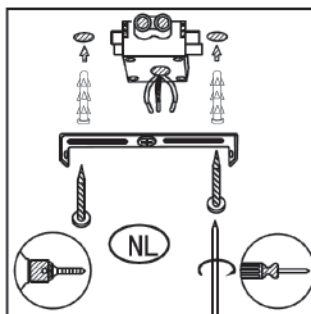
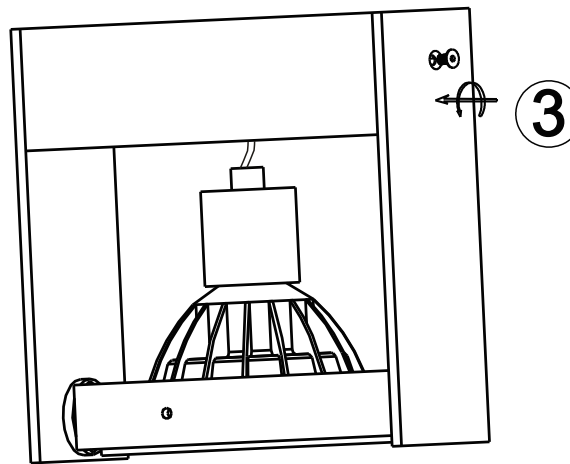
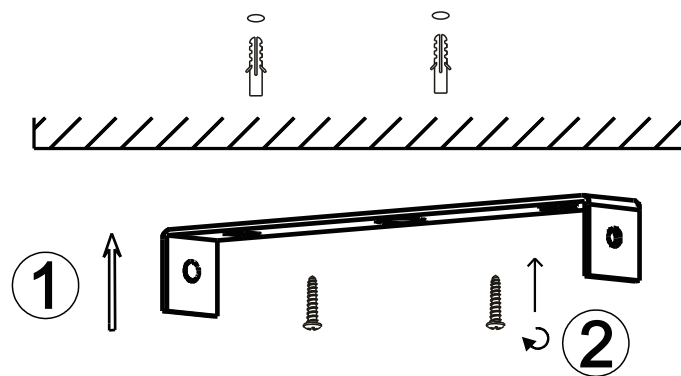
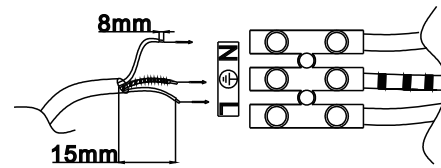
LUCIDE

## INSTALLATION DRAWING SPECIFICATIONS

## NORMAL INSTALLATION



## Electrical Supply

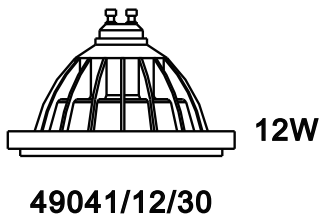


Dit product bevat een lichtbron van energie-efficiëntieklasse G (oude klasse A).  
 Ce produit contient une source lumineuse de classe énergétique G (ancienne classe A).  
 This product contains a light source of energy efficiency class G (old class A).  
 Dieses Produkt enthält eine Lichtquelle der Energieeffizienzklasse G (alte Klasse A).  
 Ten produkt zawiera ród o wiat a o klasie efektywno ci energetycznej G (stara klasa A).

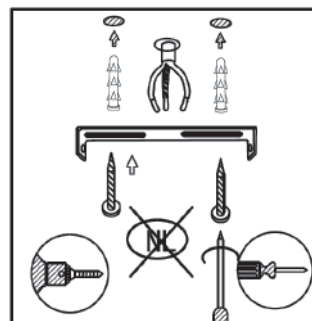
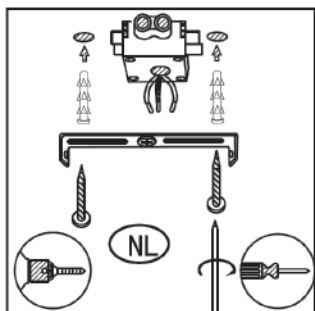
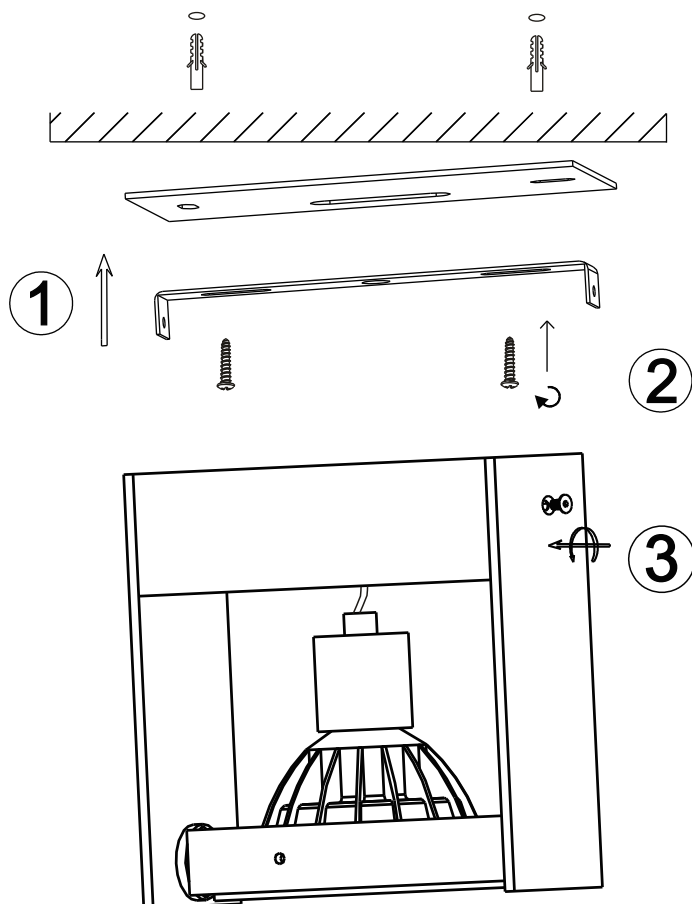
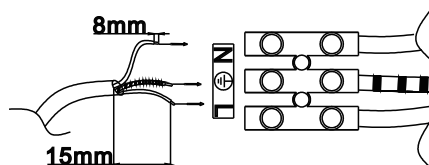
# LUCIDE

## INSTALLATION DRAWING SPECIFICATIONS

### INSTALLATION WITH ENCLOSED BACK PLATE



### Electrical Supply



Dit product bevat een lichtbron van energie-efficiëntieklasse G (oude klasse A).  
 Ce produit contient une source lumineuse de classe énergétique G (ancienne classe A).  
 This product contains a light source of energy efficiency class G (old class A).  
 Dieses Produkt enthält eine Lichtquelle der Energieeffizienzklasse G (alte Klasse A).  
 Ten produkt zawiera ród o wiat a o klasie efektywno ci energetycznej G (stara klasa A).