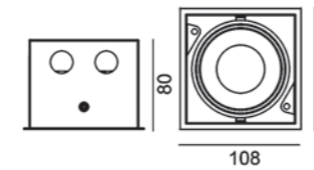




## KARDAN 1



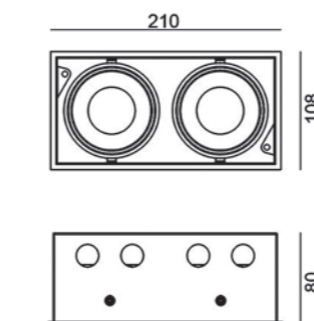
Code	Product Lumen	Watt	Color T (K)	CRI	mA	Color
01.6100.13.930.WH	1264	13	3000	>90	250	White
01.6100.13.940.WH	1368	13	4000	>90	250	White



MATERIAL | AL

i » 94

## KARDAN 2



Code	Product Lumen	Watt	Color T (K)	CRI	mA	Color
01.6110.26.930.WH	2x1264	13	3000	>80	250	White
01.6110.26.940.WH	2x1368	13	4000	>80	250	White



MATERIAL | AL

i » 94