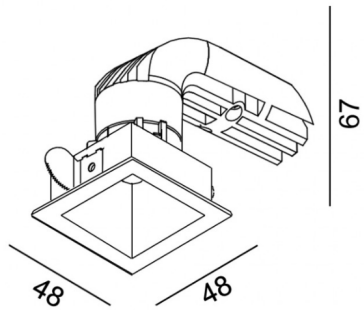


# NANO S

## 01.3911.8

POWER: 8W  
input: 700mA



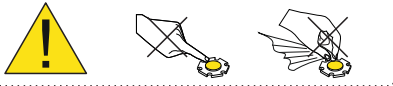
### SAFETY INSTRUCTIONS

- The appliance should be installed, connected and tested by qualified electrician, and in accordance with local regulations.
- Turn off the power supply before installation or maintenance of the appliance, and make sure that the cables will not be squeezed or damaged by sharp edges.
- The appliance should not be covered by insulation blankets or similar materials .
- Clean the appliance with a soft cloth and a standard PH neutral detergent. Stainless steel surfaces should be maintained regularly.
- Misuse of, or changes to the appliance shall nullify the guarantee. The manufacturer is free to change the design, specifications and instructions for assembly.

**⚠ DO NOT CONNECT THE APPLIANCE DIRECTLY TO HIGH-VOLTAGE POWER SUPPLY IF DRIVER IS NOT CONNECTED.**

USE THE CORRECT DRIVER TO CONNECT.

DO NOT TOUCH OR CLEAN THE LED ARRAY!  
IN ORDER TO AVOID DAMAGING THE LED CHIP!



CE F IP20



<p><b>1</b></p>	<p><b>2</b></p> <p>42 x 42 mm</p> <p>ON OFF</p> <p>1-1 1-2</p>	
<p><b>3</b></p>	<p><b>4</b></p>	<p><b>5</b></p> <p>5-1 ON OFF 5-2</p>

**LTX** Lightonix sp. z o.o.  
 Ul Hoza, 86 lok. 410  
 00-682 Warszawa, Poland  
**LIGHTING SOLUTIONS** Telephone: +48 516 808 834  
**LTX-LED.com** E-mail: info@ltx-led.com