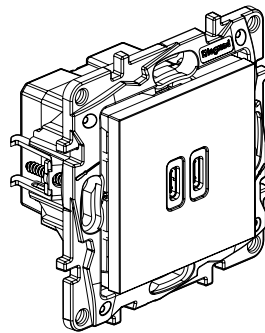


## Niloé™ Step Double USB charger type C

Cat. No(s): 8 631 39 - 8 633 39  
 8 634 39 - 8 635 39



8 63X 39

### 1. USE

Equipped with two USB output to simultaneously charge a second device (mobile phone, smartphone, tablet, MP3, MP4, speaker, watch, game console, Powerbank).

Mechanisms supplied with protection cover.

To be equipped with plates one or several gangs.

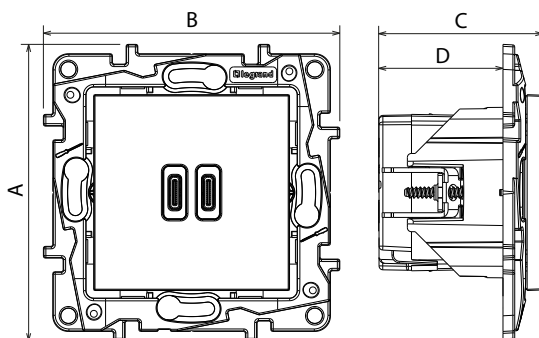
Flush-mounting or surface-mounting.

Screw or claw fixing.

### 2. RANGE

Description	White	Aluminium	Grey	Black
Double USB socket type C- 5 V - 3000 mA	8 631 39	8 633 39	8 634 39	8 635 39

### 3. DIMENSIONS (mm)



References	A	B	C	D
8 63X 39	75.8	75.8	42	31.8

### 4. CONNECTION

Type of terminals: with screws

Terminal capacity: 2 x 2.5 mm<sup>2</sup>

Stripping length (mm): 6 mm

Flexible or rigid cables compatible

**Recommended use:** circuit terminal outlet

### 5. TECHNICAL CHARACTERISTICS

#### ■ 5.1 Mechanical characteristics

Protection against solid bodies and liquids: IP 20

Protection against impact: IK 04

#### ■ 5.2 Material characteristics

Material : - Mechanism housing: PC

- Rocker plate: ABS

- Halogen free

- UV resistant

- Claws: steel

Material of the support: - PC + FV

- Halogen free

Self-extinguishing:

+ 850° C / 30 s for insulating parts holding live parts in place

+ 650° C / 30 s for other parts made of insulating materials

# Niloé™ Step

## Double USB charger type C

### 5. TECHNICAL CHARACTERISTICS (continued)

#### ■ 5.3 Electrical characteristics

All values listed below are measured at an ambient temperature of + 25° and after 15 minutes of operation.

Nominal input voltage	100 - 240 V~
Nominal input frequency	50-60 Hz
Maximum input current	300 mA
Maximum power consumption in standby	0.075 W
Power average efficiency	80.3 %
Nominal output voltage	5 V=
Maximum output current	3000 mA
No-load power consumption class and average efficiency level: level VI*	
Safety-standard	EN60950-1
Protection class	II - Low voltage

\*NB: European Regulation No. 278/2009 of 6 April 2009, Directive 2005/32/EC on eco-design requirements for AC/DC power supplies.

#### ■ 5.4 Average charging time for devices equipped with lithium ion polymer batteries:

- 80 % charged < 1 h 15
- 100 % charged < 2 h 00

**Note:** To optimize the charging time of your device, ensure turn it off during the charging phase.

#### ■ 5.5 Climatic characteristics

Use temperature: - 5° C to + 35° C

Storage temperature: - 20° C to + 70° C

### 6. MAINTENANCE

Surface cleaning with a cloth.

Do not use: acetone, tar remover, trichloroethylene.

Maintenance with the following products: Hexane (EN 60669-1), Methylated spirit, Soapy water, Diluted ammonia, Bleach diluted to 10%, Window-cleaning products.

**Caution:** A preliminary test should be carried out if other specific cleaning products are to be used.

### 7. STANDARDS AND APPROVALS

Compliance with standards of installation and manufacturing.

Refer to e. catalogue.