

PRODUCT FAMILY DATASHEET

OUTDOOR FACADE EDGE

Slim LED luminaires with high light output and optional sensor



AREAS OF APPLICATION

- Outdoor
- Building facades
- Entrance lighting
- Gardens, balconies and other outdoor areas

PRODUCT BENEFITS

- Energy-efficient thanks to LED technology
- 5 years guarantee
- Easy and quick installation
- Homogeneous light output

PRODUCT FEATURES

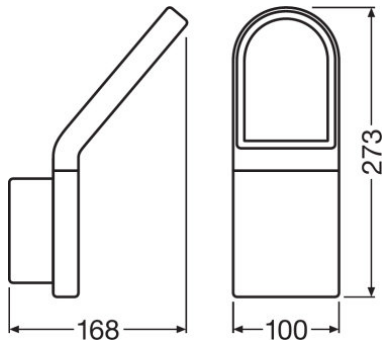
- Very bright and functional outdoor LED luminaires
- Type of protection: IP54
- Die-cast aluminum housing
- Available with and without motion sensor
- Available in two housing colors: white and dark gray
- Diffuser made of opal polycarbonate with clear glass cover



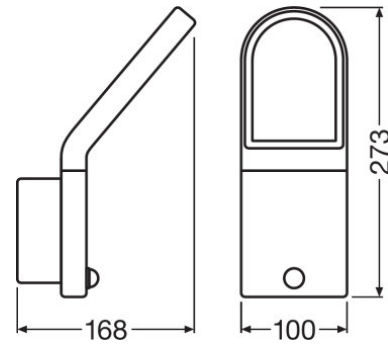
TECHNICAL DATA

Product description	Electrical data	Photometric data	Light technical data	Dimensions & weight				Colors & materials		Temperatures & operating conditions	Lifespan
	Nominal wattage	Luminous flux	Beam angle	Length	Width	Height	Product weight	Product color	Housing color	Ambient temperature range	Number of switching cycles
O FACADE EDGE 12 W 3000 K IP54 GY	12.00 W	740 lm	110 °	168.0 mm	100.0 mm	273.0 mm	1300.00 g	Gray	Gray	-20...+40 °C	15000
O FACADE EDGE 12 W 3000 K IP54 WT	12.00 W	770 lm	107.00 °	168.0 mm	100.0 mm	273.0 mm	1300.00 g	White	White	-20...+40 °C	15000
O FACADE EDGE SENSOR 12 W 3000 K IP54 S GY	12.20 W	740 lm	107.00 °	168.0 mm	100.0 mm	273.0 mm	1300.00 g	Gray	Gray	-20...+40 °C	15000
O FACADE EDGE SENSOR 12 W 3000 K IP54 S WT	12.20 W	770 lm	107.00 °	168.0 mm	100.0 mm	273.0 mm	1300.00 g	White	White	-20...+40 °C	15000

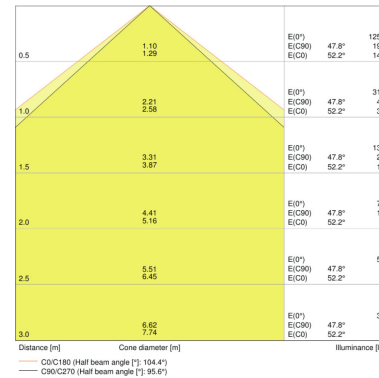
Product description	Lifespan L70/B50 at 25 °C	Capabilities
		Dimmable
O FACADE EDGE 12 W 3000 K IP54 GY	30000 h	No
O FACADE EDGE 12 W 3000 K IP54 WT	30000 h	No
O FACADE EDGE SENSOR 12 W 3000 K IP54 S GY	30000 h	No
O FACADE EDGE SENSOR 12 W 3000 K IP54 S WT	30000 h	No



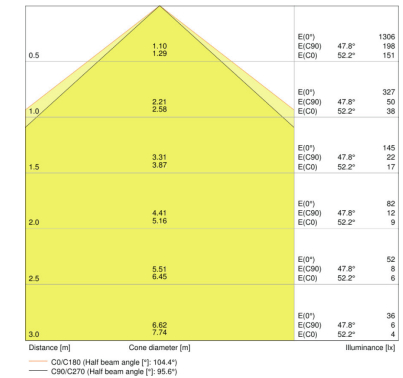
O FACADE EDGE 12 W 3000 K IP54 GY,
O FACADE EDGE 12 W 3000 K IP54 WT



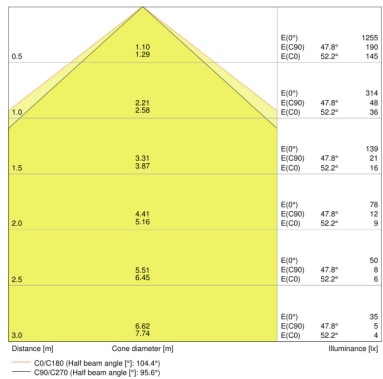
O FACADE EDGE SENSOR 12 W 3000 K
IP54 S GY, O FACADE EDGE SENSOR 12
W 3000 K IP54 S WT



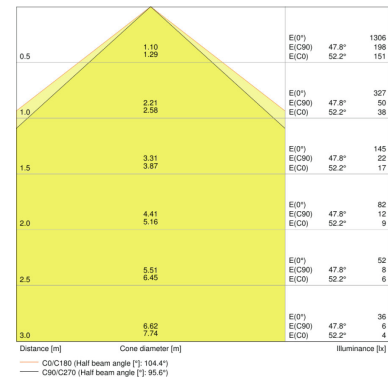
O FACADE EDGE 12 W 3000 K IP54 GY



O FACADE EDGE 12 W 3000 K IP54 WT



O FACADE EDGE SENSOR 12 W 3000 K
IP54 S GY



O FACADE EDGE SENSOR 12 W 3000 K
IP54 S WT

