

PRODUCT FAMILY DATASHEET

DOWNLIGHT ALU

Downlight luminaires with aluminum housing



AREAS OF APPLICATION

- Direct replacement for luminaires with compact fluorescent lamps
- General illumination
- Public areas
- Stairways
- Corridors
- Foyers
- Shops

PRODUCT BENEFITS

- High luminous efficacy
- Energy savings up to 60 % (compared to luminaires that use CFL lamps)
- Very homogenous light
- Functional design
- Easy installation with fast connection
- External driver for extended flexibility (compatible with selected DALI drivers)
- 5 years guarantee

PRODUCT FEATURES

- Diameter of required ceiling cut-out: 150 mm or 200 mm (depending on version)
- Type of protection: IP44



TECHNICAL DATA

Product description	Electrical data			Luminaire control gear data				Photometrical data
	Nominal wattage	Nominal voltage	Mains frequency	ECG - Length	ECG - Width	Ouput current	ECG - Output ripple current	Luminous flux
DL ALU DN 150 14 W 3000 K IP44/IP20 WT	14.00 W	220...240 V	50/60 Hz	83 mm	39 mm	27...42 mA	<45 %	1190 lm
DL ALU DN 150 14 W 4000 K IP44/IP20 WT	14.00 W	220...240 V	50/60 Hz	83 mm	39 mm	27...42 mA	<45 %	1260 lm
DL ALU DN 150 14 W 6500 K IP44/IP20 WT	14.00 W	220...240 V	50/60 Hz	83 mm	39 mm	27...42 mA	<45 %	1330 lm
DL ALU DN 200 25 W 3000 K IP44/IP20 WT	25.00 W	220...240 V	50/60 Hz	111 mm	45 mm	27...42 mA	<30 %	2250 lm
DL ALU DN 200 25 W 4000 K IP44/IP20 WT	25.00 W	220...240 V	50/60 Hz	111 mm	45 mm	27...42 mA	<30 %	2370 lm
DL ALU DN 200 25 W 6500 K IP44/IP20 WT	25.00 W	220...240 V	50/60 Hz	111 mm	45 mm	27...42 mA	<30 %	2370 lm
DL ALU DN 200 35 W 3000 K IP44/IP20 WT	35.00 W	220...240 V	50/60 Hz	138 mm	45 mm	27...42 mA	<35 %	2975 lm
DL ALU DN 200 35 W 4000 K IP44/IP20 WT	35.00 W	220...240 V	50/60 Hz	138 mm	45 mm	27...42 mA	<35 %	3150 lm
DL ALU DN 200 35 W 6500 K IP44/IP20 WT	35.00 W	220...240 V	50/60 Hz	138 mm	45 mm	27...42 mA	<35 %	3150 lm

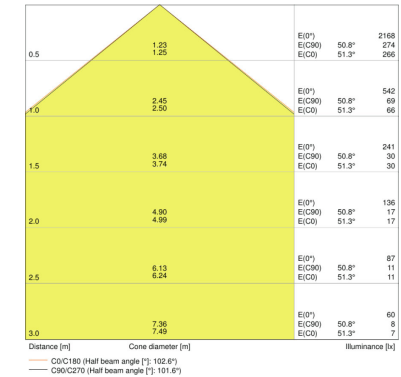
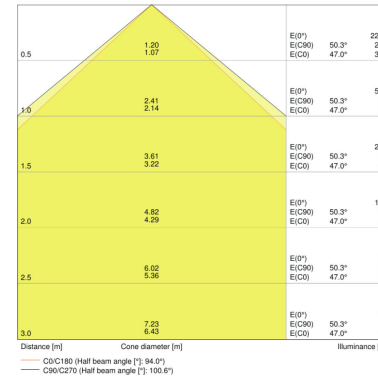
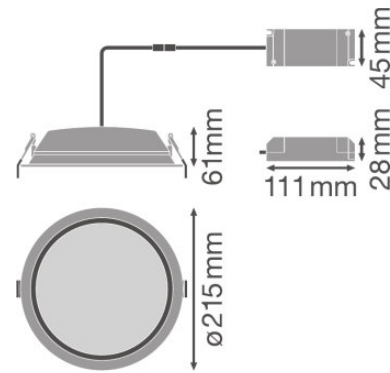
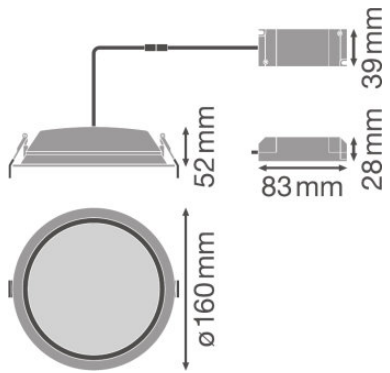
Product description	Light color (designation)	Color rendering index Ra	Light technical data	Dimensions & weight				Colors & materials		
			Beam angle	Diameter	Height	Product weight	Mounting diameter	Body material	Housing color	Product color
DL ALU DN 150 14 W 3000 K IP44/IP20 WT	Warm White	>80	100.00 °	160.0 mm	52.0 mm	360.00 g	150.0 mm	Aluminum	White	White
DL ALU DN 150 14 W 4000 K IP44/IP20 WT	Cool White	>80	100.00 °	160.0 mm	52.0 mm	360.00 g	150.0 mm	Aluminum	White	White
DL ALU DN 150 14 W 6500 K IP44/IP20 WT	Cool Daylight	>80	100.00 °	160.0 mm	52.0 mm	360.00 g	150.0 mm	Aluminum	White	White

Product description	Light color (designation)	Color rendering index Ra	Light technical data	Dimensions & weight				Colors & materials		
			Beam angle	Diameter	Height	Product weight	Mounting diameter	Body material	Housing color	Product color
DL ALU DN 200 25 W 3000 K IP44/IP20 WT	Warm White	>80	100.00 °	215.0 mm	61.0 mm	600.00 g	200.0 mm	Aluminum	White	White
DL ALU DN 200 25 W 4000 K IP44/IP20 WT	Cool White	>80	100.00 °	215.0 mm	61.0 mm	600.00 g	200.0 mm	Aluminum	White	White
DL ALU DN 200 25 W 6500 K IP44/IP20 WT	Cool Daylight	>80	100.00 °	215.0 mm	61.0 mm	600.00 g	200.0 mm	Aluminum	White	White
DL ALU DN 200 35 W 3000 K IP44/IP20 WT	Warm White	>80	100.00 °	215.0 mm	61.0 mm	600.00 g	200.0 mm	Aluminum	White	White
DL ALU DN 200 35 W 4000 K IP44/IP20 WT	Cool White	>80	100.00 °	215.0 mm	61.0 mm	600.00 g	200.0 mm	Aluminum	White	White
DL ALU DN 200 35 W 6500 K IP44/IP20 WT	Cool Daylight	>80	100.00 °	215.0 mm	61.0 mm	600.00 g	200.0 mm	Aluminum	White	White

Product description	Cover material	Temperatures & operating conditions	Lifespan			Capabilities	
		Ambient temperature range	Number of switching cycles	Lifespan L70/B50 at 25 °C	Lifespan L80/B10 at 25 °C	Lifespan L90/B10 at 25 °C	Dimmable
DL ALU DN 150 14 W 3000 K IP44/IP20 WT	Polymethylmethacrylate (PMMA)	-20...+45 °C	100000	50000 h	45000 h	30000 h	No
DL ALU DN 150 14 W 4000 K IP44/IP20 WT	Polymethylmethacrylate (PMMA)	-20...+45 °C	100000	50000 h	45000 h	30000 h	No
DL ALU DN 150 14 W 6500 K IP44/IP20 WT	Polymethylmethacrylate (PMMA)	-20...+45 °C	100000	50000 h	45000 h	30000 h	No
DL ALU DN 200 25 W 3000 K IP44/IP20 WT	Polymethylmethacrylate (PMMA)	-20...+45 °C	100000	50000 h	45000 h	30000 h	No
DL ALU DN 200 25 W 4000 K IP44/IP20 WT	Polymethylmethacrylate (PMMA)	-20...+45 °C	100000	50000 h	45000 h	30000 h	No
DL ALU DN 200 25 W 6500 K IP44/IP20 WT	Polymethylmethacrylate (PMMA)	-20...+45 °C	100000	50000 h	45000 h	30000 h	No

Product description	Cover material	Temperatures & operating conditions	Lifespan				Capabilities
		Ambient temperature range	Number of switching cycles	Lifespan L70/B50 at 25 °C	Lifespan L80/B10 at 25 °C	Lifespan L90/B10 at 25 °C	Dimmable
DL ALU DN 200 35 W 3000 K IP44/IP20 WT	Polymethylmethacrylate (PMMA)	-20...+45 °C	100000	50000 h	45000 h	30000 h	No
DL ALU DN 200 35 W 4000 K IP44/IP20 WT	Polymethylmethacrylate (PMMA)	-20...+45 °C	100000	50000 h	45000 h	30000 h	No
DL ALU DN 200 35 W 6500 K IP44/IP20 WT	Polymethylmethacrylate (PMMA)	-20...+45 °C	100000	50000 h	45000 h	30000 h	No

Product description	Type of connection	Certificates & standards		Logistical data
		Protection class	Type of protection	Temperature range at storage
DL ALU DN 150 14 W 3000 K IP44/IP20 WT	Screwless terminal, 2-Pole	II	IP44/IP20	-20...+80 °C
DL ALU DN 150 14 W 4000 K IP44/IP20 WT	Screwless terminal, 2-Pole	II	IP44/IP20	-20...+80 °C
DL ALU DN 150 14 W 6500 K IP44/IP20 WT	Screwless terminal, 2-Pole	II	IP44/IP20	-20...+80 °C
DL ALU DN 200 25 W 3000 K IP44/IP20 WT	Screwless terminal, 2-Pole	II	IP44/IP20	-20...+80 °C
DL ALU DN 200 25 W 4000 K IP44/IP20 WT	Screw terminal, 2-Pole (L,N)	II	IP44/IP20	-20...+80 °C
DL ALU DN 200 25 W 6500 K IP44/IP20 WT	Screw terminal, 2-Pole (L,N)	II	IP44/IP20	-20...+80 °C
DL ALU DN 200 35 W 3000 K IP44/IP20 WT	Screw terminal, 2-Pole (L,N)	II	IP44/IP20	-20...+80 °C
DL ALU DN 200 35 W 4000 K IP44/IP20 WT	Screw terminal, 2-Pole (L,N)	II	IP44/IP20	-20...+80 °C
DL ALU DN 200 35 W 6500 K IP44/IP20 WT	Screw terminal, 2-Pole (L,N)	II	IP44/IP20	-20...+80 °C

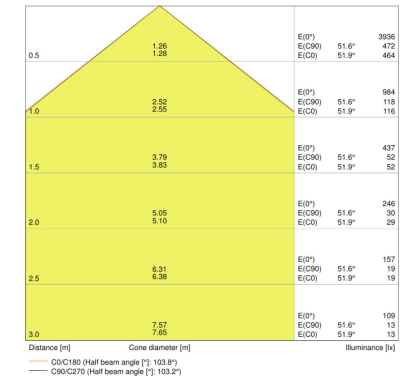
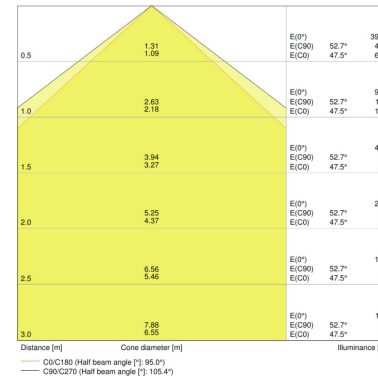
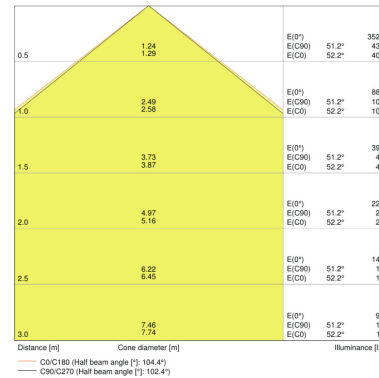
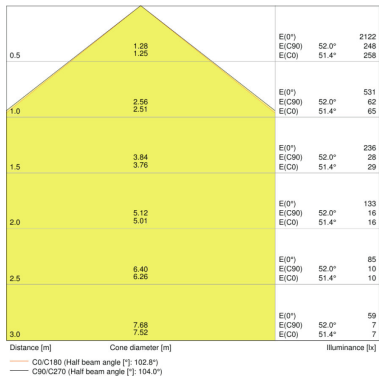


DL ALU DN 150 14 W 3000 K
IP44/IP20 WT, DL ALU DN 150 14 W
4000 K IP44/IP20 WT, DL ALU DN 150
14 W 6500 K IP44/IP20 WT

DL ALU DN 200 25 W 3000 K
IP44/IP20 WT, DL ALU DN 200 25 W
4000 K IP44/IP20 WT, DL ALU DN 200
25 W 6500 K IP44/IP20 WT, DL ALU
DN 200 35 W 3000 K IP44/IP20 WT, DL ALU
DN 200 35 W 4000 K IP44/IP20 WT, DL
ALU DN 200 35 W 6500 K IP44/IP20
WT

DL ALU DN 150 14 W 3000 K
IP44/IP20 WT

DL ALU DN 150 14 W 4000 K
IP44/IP20 WT

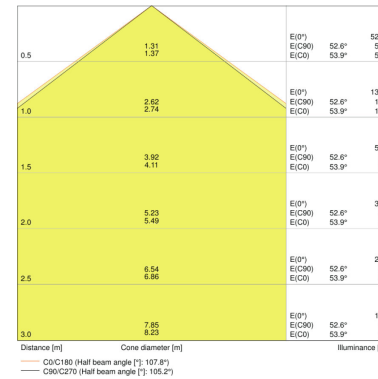
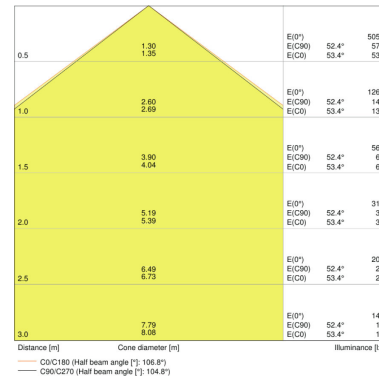
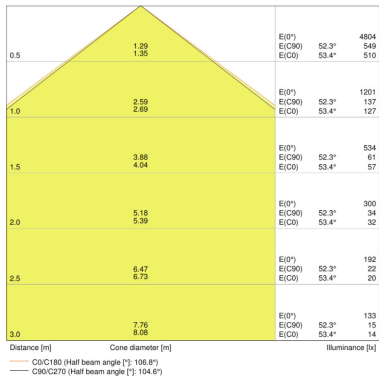


DL ALU DN 150 14 W 6500 K
IP44/IP20 WT

DL ALU DN 200 25 W 3000 K
IP44/IP20 WT

DL ALU DN 200 25 W 4000 K
IP44/IP20 WT

DL ALU DN 200 25 W 6500 K
IP44/IP20 WT



DL ALU DN 200 35 W 3000 K
IP44/IP20 WT

DL ALU DN 200 35 W 4000 K
IP44/IP20 WT

DL ALU DN 200 35 W 6500 K
IP44/IP20 WT

APPLICATION ADVICE

For more detailed application information and graphics please see product datasheet.

LOGISTICAL DATA

Product code	Packaging unit (Pieces/Unit)	Dimensions (length x width x height)	Gross weight	Volume
4058075091443	Shipping carton box 8	365 mm x 365 mm x 185 mm	4030.00 g	24.65 dm ³
4058075091467	Shipping carton box 8	365 mm x 365 mm x 185 mm	4092.00 g	24.65 dm ³
4058075091481	Shipping carton box 8	365 mm x 365 mm x 185 mm	4158.00 g	24.65 dm ³
4058075091504	Shipping carton box 8	462 mm x 462 mm x 240 mm	6830.00 g	51.23 dm ³
4058075091528	Shipping carton box 8	462 mm x 462 mm x 240 mm	6890.00 g	51.23 dm ³
4058075091542	Shipping carton box 8	462 mm x 462 mm x 240 mm	6870.00 g	51.23 dm ³
4058075091566	Shipping carton box 8	462 mm x 462 mm x 240 mm	6930.00 g	51.23 dm ³
4058075091580	Shipping carton box 8	462 mm x 462 mm x 240 mm	6860.00 g	51.23 dm ³
4058075091603	Shipping carton box 8	462 mm x 462 mm x 240 mm	6900.00 g	51.23 dm ³

The mentioned product code describes the smallest quantity unit which can be ordered. One shipping unit can contain one or more single products. When placing an order, for the quantity please enter single or multiples of a shipping unit.

REFERENCES / LINKS

For Guarantee see

- ▶ www.ledvance.com/guarantee

DISCLAIMER

Subject to change without notice. Errors and omission excepted. Always make sure to use the most recent release.