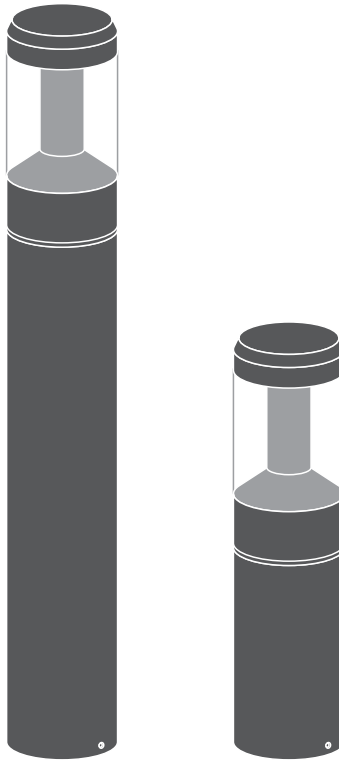


Outdoor Bollard Lantern



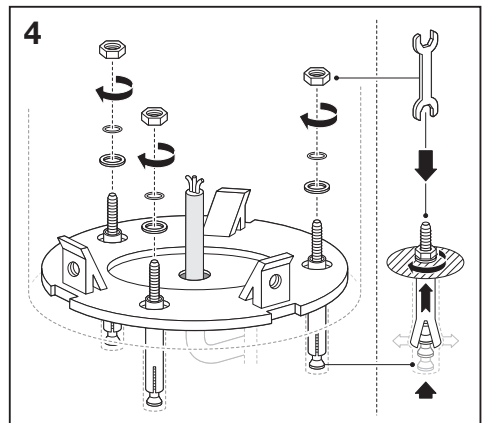
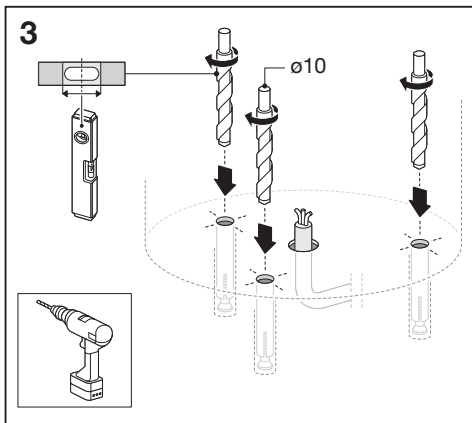
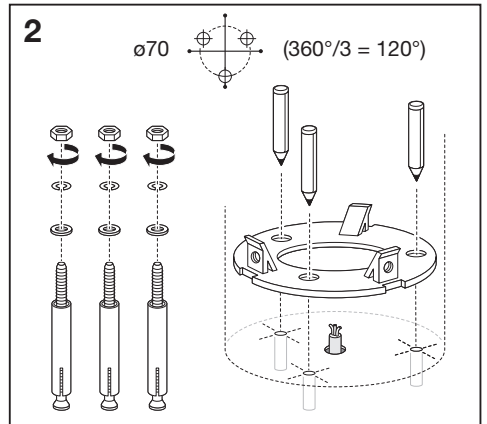
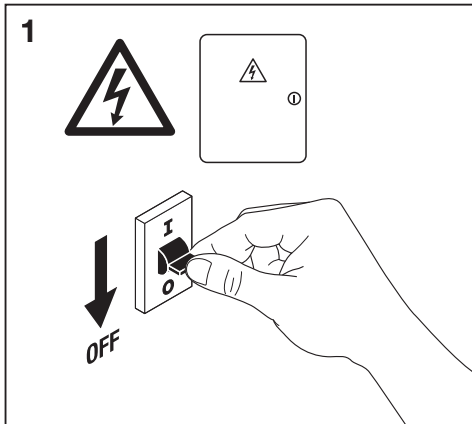
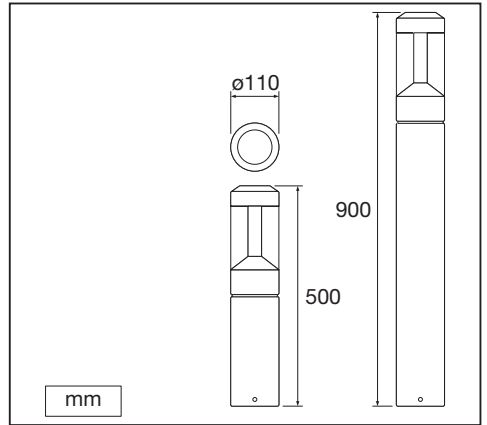
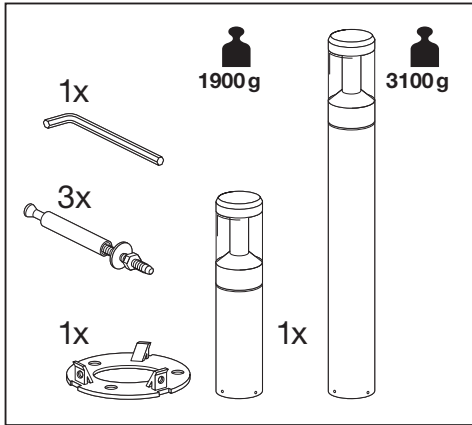
	EAN	Ø x H	W	lm	lm/W	K	IP	IK
Outdoor Bollard 500 Lantern 12W/3000K GY IP54	4058075074859	110x500	12	610	50	3000K	54	06
Outdoor Bollard 900 Lantern 12W/3000K GY IP54	4058075074873	110x900	12	610	50	3000K	54	06

	EAN	∠	⊖ (°C)	PF	R _a	V _{AC}	Hz	⚖
Outdoor Bollard 500 Lantern 12W/3000K GY IP54	4058075074859	210°	-20...40	≥ 0.5	≥ 80	220-240V	50/60 Hz	1.9 kg
Outdoor Bollard 900 Lantern 12W/3000K GY IP54	4058075074873	210°	-20...40	≥ 0.5	≥ 80	220-240V	50/60 Hz	3.1 kg

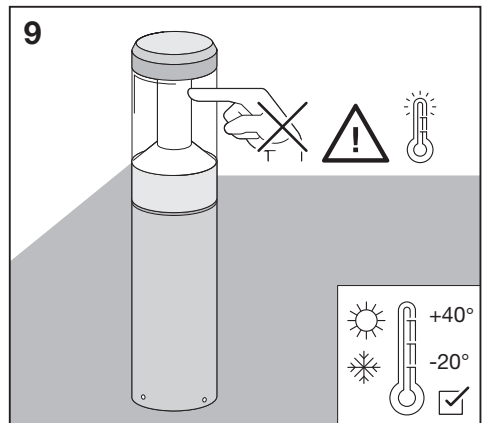
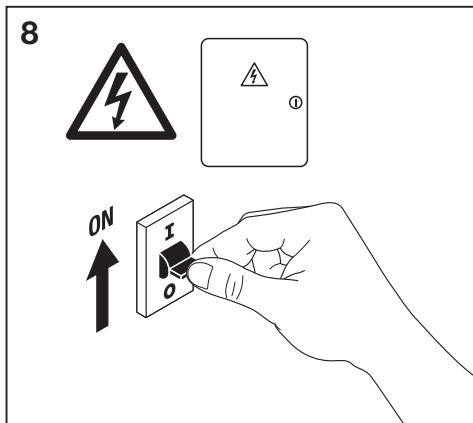
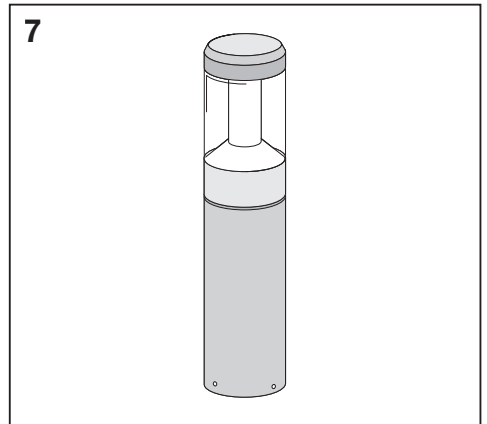
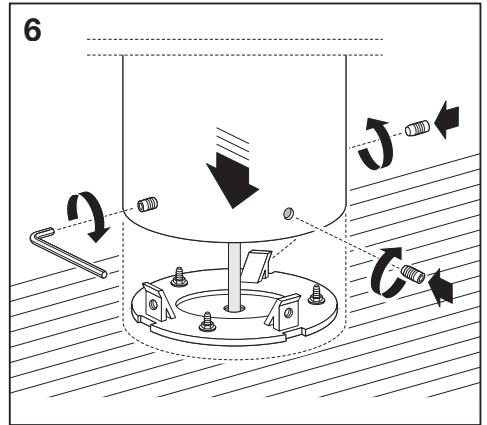
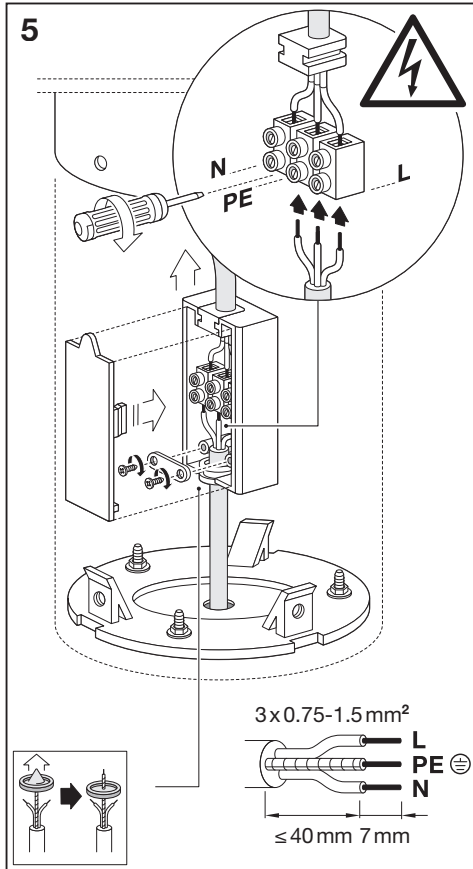


LEDVANCE

Outdoor Bollard Lantern



Outdoor Bollard Lantern



www.luminares.ledvance.com



Downlight



Spot



Linear



Panel



Surface



DampProof
IP65



HighBay



Floodlight



C10449057
G11033058

15.12.17

LEDVANCE GmbH
Steinerne Furt 62
86167 Augsburg
Germany
www.ledvance.com