

# PRODUCT DATASHEET

## O FACADE SPOT 8 W 3000 K IP54 GY

OUTDOOR FACADE SPOT | Luminaires with rotatable head and directional light



---

### AREAS OF APPLICATION

- Outdoor
- Building facades
- Entrance lighting
- Gardens, balconies and other outdoor areas

---

### PRODUCT BENEFITS

- Energy-efficient thanks to LED technology
- 5 years guarantee
- Easy and quick installation
- Homogeneous light output

---

### PRODUCT FEATURES

- Bright and functional outdoor LED luminaires
- Type of protection: IP54
- Die-cast aluminum housing
- Adjustable modules: rotation angle 320°
- Diffuser made of opal polycarbonate
- Available in two housing colors: white and dark gray



## TECHNICAL DATA

### Electrical data

<b>Operating mode</b>	Mains voltage
<b>Mains frequency</b>	50/60 Hz
<b>Power factor <math>\lambda</math></b>	>0.5
<b>Nominal wattage</b>	8.00 W
<b>Nominal voltage</b>	220...240 V
<b>Nominal current</b>	0.066 A
<b>Max. no. of lum. on circuit break. B16 A</b>	35
<b>Max. no. of lum. on circuit break. C10 A</b>	45
<b>Max. no. of lum. on circuit break. C16 A</b>	28

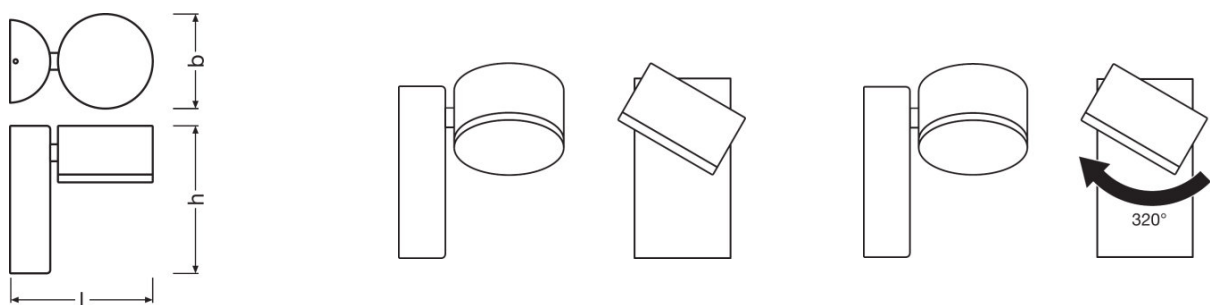
### Photometrical data

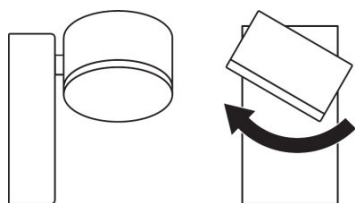
<b>Color temperature</b>	3000 K
<b>Luminous efficacy</b>	55 lm/W
<b>Luminous flux</b>	440 lm
<b>Light color (designation)</b>	Warm White
<b>Color rendering index Ra</b>	$\geq 80$
<b>Standard deviation of color matching</b>	<6 sdc <sub>m</sub>

### Light technical data

<b>Beam angle</b>	110 °
-------------------	-------

### Dimensions & weight





<b>Length</b>	135.0 mm
<b>Width</b>	90.0 mm
<b>Height</b>	140.0 mm
<b>Product weight</b>	600.00 g

#### Colors & materials

<b>Product color</b>	Gray
<b>Housing color</b>	Gray
<b>Body material</b>	Aluminum
<b>Cover material</b>	Polycarbonate (PC)

#### Temperatures & operating conditions

<b>Ambient temperature range</b>	-20...+40 °C
----------------------------------	--------------

#### Lifespan

<b>Number of switching cycles</b>	15000
<b>Lifespan L70/B50 at 25 °C</b>	30000 h

#### Additional product data

<b>Mounting type</b>	Surface
<b>Mounting location</b>	Wall

#### Capabilities

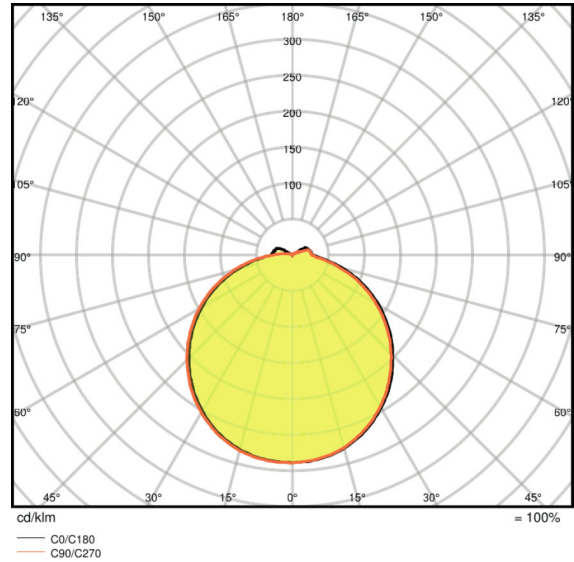
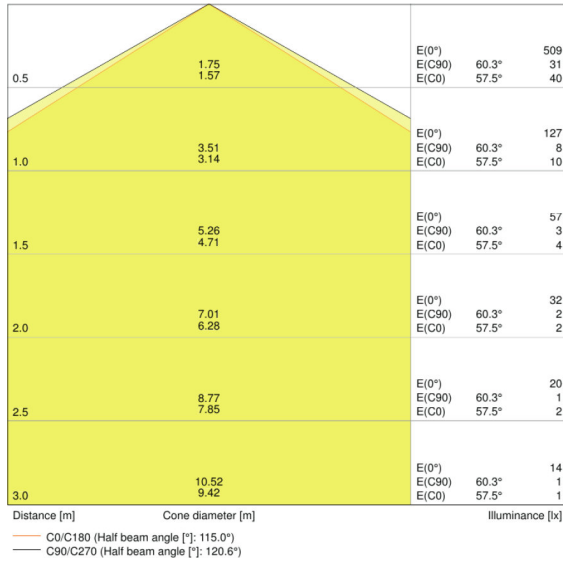
<b>Dimmable</b>	No
<b>Type of connection</b>	Screw terminal, 3-Pole
<b>LED module replaceable</b>	Not replaceable

#### Certificates & standards

<b>Type of protection</b>	IP54
<b>Protection class</b>	I
<b>Protection class IK (shock resistance)</b>	IK06

<b>Glow Wire Test according to IEC 60695-2-12</b>	-
<b>Photobio. safety group acc. to EN62471</b>	RG0
<b>Standards</b>	CE

### Light Distribution



LDC typ cone

LDC typ polar

### EQUIPMENT / ACCESSORIES

- Complete mounting and connecting accessories included

### LOGISTICAL DATA

Product code	Packaging unit (Pieces/Unit)	Dimensions (length x width x height)	Gross weight	Volume
4058075074712	Folding carton box 1	124 mm x 154 mm x 166 mm	640.00 g	3.17 dm <sup>3</sup>
4058075074729	Shipping carton box 6	385 mm x 170 mm x 355 mm	4072.00 g	23.23 dm <sup>3</sup>

The mentioned product code describes the smallest quantity unit which can be ordered. One shipping unit can contain one or more single products. When placing an order, for the quantity please enter single or multiples of a shipping unit.

### REFERENCES / LINKS

For Guarantee see  
[www.ledvance.com/guarantee](http://www.ledvance.com/guarantee)

---

**DISCLAIMER**

Subject to change without notice. Errors and omission excepted. Always make sure to use the most recent release.