

GU10 LED

Źródło światła LED



[V] 220-240 AC	[Hz] 50	PAR16	SMD	120° Φ _{use}	ellipse ≤ 6x MacAdam	Ra 80
≥15000	15000 ^[h]	Hg		CE	EAC	UK CA
↓						

GU10 4W-WW LED

	POW [W]	[W]	[lm]	[lm] Φ _{use}	T _c [K]	[°]		Ei
GU10 4W-WW LED 31230	4	35	380	320	3000	100	GU10	G
GU10 4W-NW LED 31231	4	35	380	320	4000	100	GU10	G
GU10 4W-CW LED 31232	4	35	380	320	5000	100	GU10	G
GU10 6W-WW LED 31233	6	45	520	430	3000	100	GU10	G
GU10 6W-NW LED 31234	6	45	520	430	4000	100	GU10	G
GU10 6W-CW LED 31235	6	45	520	430	5000	100	GU10	G
GU10 8W-WW LED 31236	8	57	690	560	3000	100	GU10	G
GU10 8W-CW LED 31238	8	57	690	560	5000	100	GU10	G

- Materiał klosza: tworzywo sztuczne



GU10 LED

Źródło światła LED



GU10 4W-WW LED



GU10 4W-NW LED



GU10 4W-CW LED



GU10 6W-WW LED



GU10 6W-NW LED



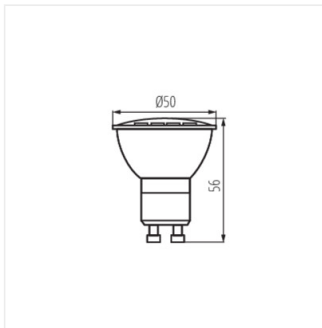
GU10 6W-CW LED



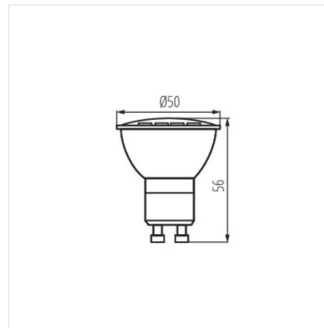
GU10 8W-WW LED



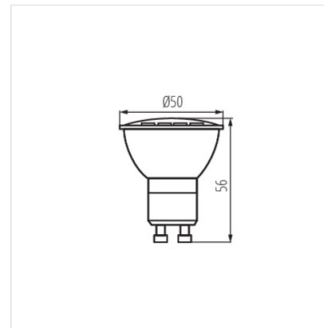
GU10 8W-CW LED



GU10 4W LED



GU10 6W LED



GU10 8W LED