

## GU10 N LED

## Źródło światła LED



[V] 220-240 AC	[Hz] 50	PAR16	SMD	120° Φ <sub>use</sub>	ellipse ≤ 6x Macadam	Ra 80
≥15000	15000 <sup>[h]</sup>	<del>Hg</del>	<del>Pb</del>	CE	EAC	UK CA



## GU10 N LED 4W-CW



	PON [W]	[W]	[lm]	[lm] Φ <sub>use</sub>	Tc [K]	[°]		Ei
GU10 N LED 4W-CW	<b>31210</b>	4	26	340	275	5300	120	GU10 G
GU10 N LED 4W-NW	<b>31211</b>	4	26	340	275	4000	120	GU10 G
GU10 N LED 6W-CW	<b>31213</b>	6	34	485	400	5300	120	GU10 G
GU10 N LED 6W-NW	<b>31214</b>	6	34	485	400	4000	120	GU10 G
GU10 N LED 6W-WW	<b>31215</b>	6	34	485	400	3000	120	GU10 G
GU10 N LED 8W-CW	<b>31216</b>	8	44	660	530	5300	120	GU10 G
GU10 N LED 8W-WW	<b>31217</b>	8	44	660	530	3000	120	GU10 G

- Materiał klosza: tworzywo sztuczne

## GU10 N LED

### Źródło światła LED



GU10 N LED 4W-CW



GU10 N LED 4W-NW



GU10 N LED 6W-CW



GU10 N LED 6W-NW



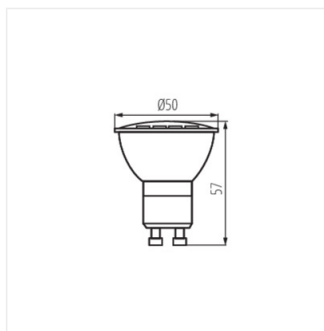
GU10 N LED 6W-WW



GU10 N LED 8W-CW



GU10 N LED 8W-WW



GU10 N LED