

General info

Technical - Recessed

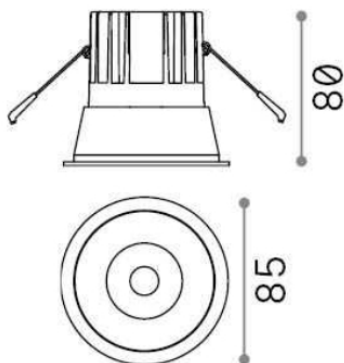
Indoor ceiling recessed projector with integrated LED sources and direct light emission



Ean	8021696285429
Item	GAME ROUND 11W 2700K WH WH
Installation	Recessed (Ceiling)
Guarantee	5 years
Gross weight	0.32 kg
Volume	0.00115 m ³

Technical info

Net weight	0.28 kg
Insulation class	II
Protection index	IP20
Operating temperature	0° ~ +40 °C
Dimmer	Non-dimmable, On-Off
Power output	220-240 V AC 50/60 Hz
Power supply	Separate, included YES (by qualified operators only), electronic
Recessed specifications	Ø 74 - h. ≥ 100 , 3-40
Load resistance	IK06
Front protection index	IP40 [DO NOT COVER]
Accessories not included	Dimmable driver



Source info

Integrated source	Integrated LED module
Replaceable source	YES (by qualified operators only)
Power	11W
Emission	Direct
Max consumption	max 11,00 W
Features LED	LED COB CREE
CCT	2700 K
Duration LED (t. 25°C)	50000 h
CRI	> 80
SDCM	5
Light beam	36°
UGR Maximum	< 19
Light beam flux	1000 lm
Useful light flux	920 lm
Standby power	< 0.50