

General info

Technical - Recessed

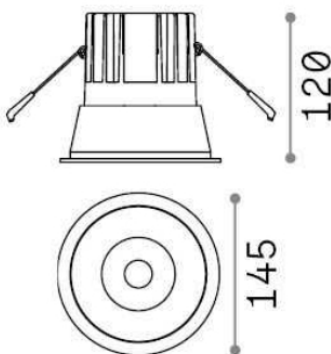
Indoor ceiling recessed projector with integrated LED sources and direct light emission



| | |
|---------------------|----------------------------|
| Ean | 8021696273167 |
| Item | GAME ROUND 20W 3000K BK BK |
| Installation | Recessed (Ceiling) |
| Guarantee | 5 years |
| Gross weight | 0.98 kg |
| Volume | 0.003328 m ³ |

Technical info

| | |
|---------------------------------|---|
| Net weight | 0.66 kg |
| Insulation class | II |
| Protection index | IP20 |
| Operating temperature | 0° ~ +40 °C |
| Dimmer | Non-dimmable, On-Off |
| Power output | 220-240 V AC 50/60 Hz |
| Power supply | Separate, included YES (by qualified operators only), electronic |
| Recessed specifications | Ø 110 - h. ≥ 150 , 3-35 |
| Load resistance | IK06 |
| Front protection index | IP40 [DO NOT COVER] |
| Accessories not included | Dimmable driver |



Source info

| | |
|-------------------------------|-----------------------------------|
| Integrated source | Integrated LED module |
| Replaceable source | YES (by qualified operators only) |
| Power | 20W |
| Emission | Direct |
| Max consumption | max 20,00 W |
| Features LED | LED COB BRIDGELUX |
| CCT | 3000 K |
| Duration LED (t. 25°C) | 50000 h |
| CRI | > 90 |
| SDCM | 3 |
| Light beam | 24° |
| UGR Maximum | < 19 |
| Light beam flux | 2350 lm |
| Useful light flux | 1760 lm |
| Standby power | < 0.50 |