

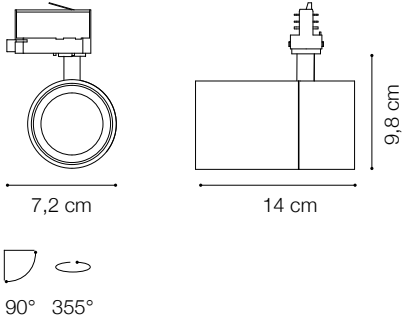
ideal lux | Quick



Extruded aluminum cylindrical tracklight suitable for installation on three-phase track. White or black powder coating, 355° turning head and 90° adjustable, the power driver is included and located in the cylindrical body of the projector itself. Dimmable 1-10 or DALI version available. Light source with integrated COB LED technology for maximum efficiency, available with a color temperature of 3000K or 4000K; Energy efficient LED with high color rendering, up to CRI ≥ 90; starting binning ≤3-Step MacAdam; symmetrical beam optic with three different emission angles and glare control (UGR <19); assembly and disassembly without tools; IP20 protection; insulation class I. Ideal for installation in big rooms, where great flexibility and color rendering is required, such as MUSEUM, COMMERCIAL and RETAIL spaces.

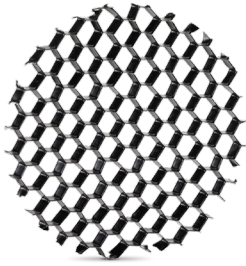


Code	247960
Item name	QUICK 21W CRI80 30° 4000K WH ON-OFF
Source	LED COB CITIZEN
Power	21W
Driver included	HEP ON-OFF
Driver available	No
Lumen	3100 Lm
MacAdam	SDCM 3
Beam	30°
CCT	4000K
CRI	≥80
UGR	-
LED Life	50.000 h
Insulation class	Class I
IP	20
Material	Aluminum
Warranty	5 years
Net Weight	0,760 Kg
Volume	0,0038 m³



ideal lux | Quick

Code 222608
Item name QUICK 15W / 21W HONEYCOMB



Code 222592
Item name QUICK 15W / 21W LENS 15°
Code 253558
Item name QUICK 15W / 21W LENS 45°



Code 170145
Item name LINK SINGLE CONNECTION WH ON-OFF

