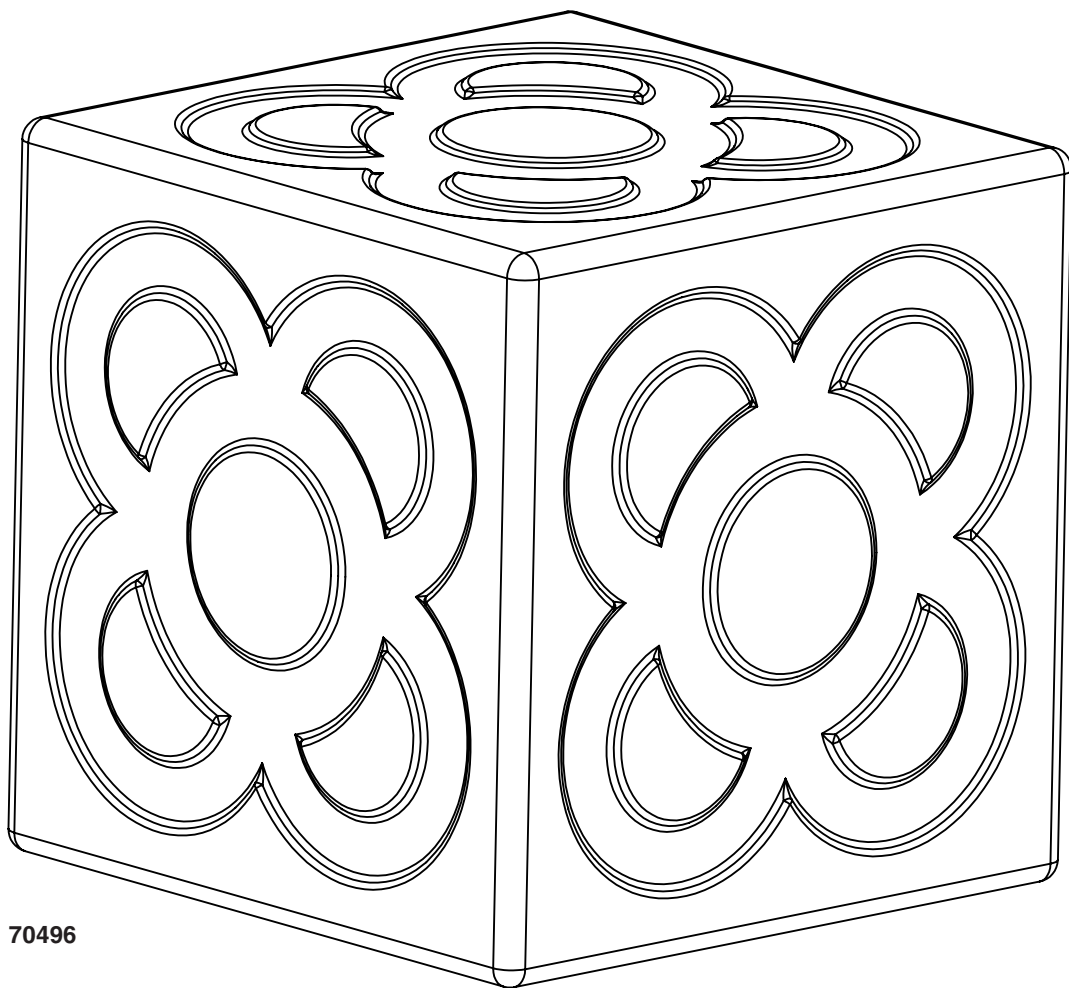


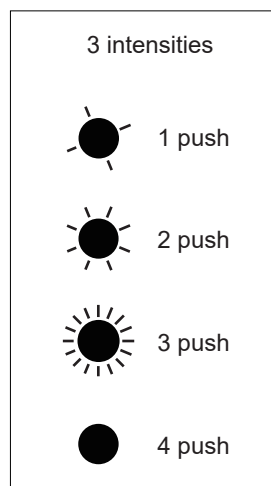
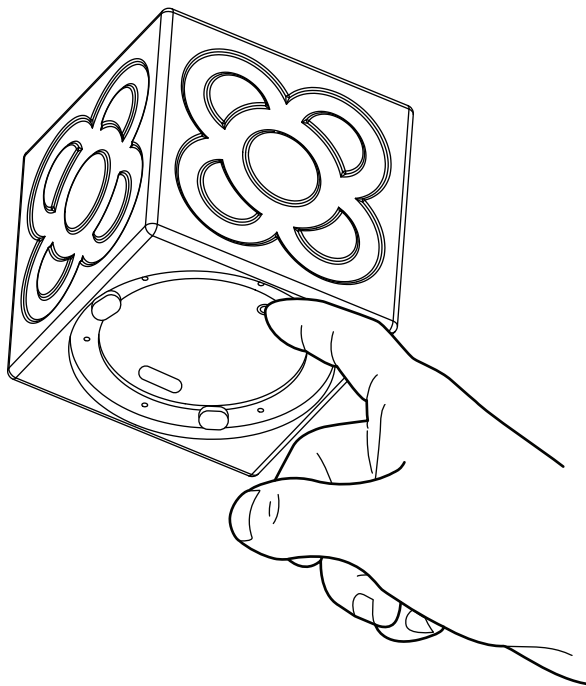
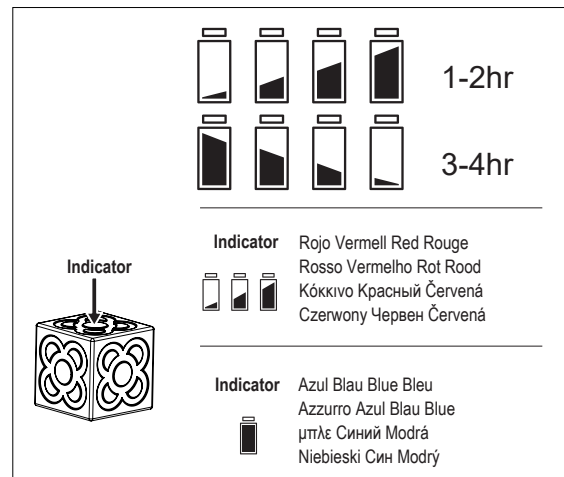
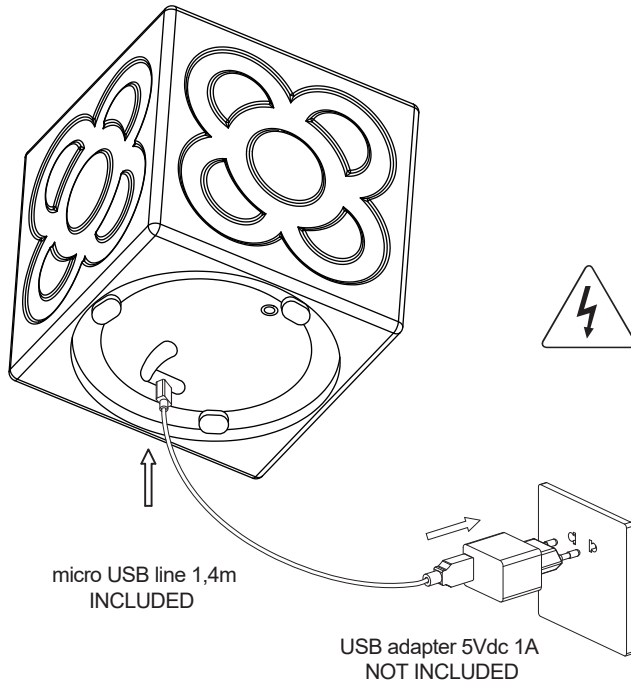
F A R O
BARCELONA

LAM PA NOT

Lampanot is a design by Cristina Borràs inspired in the well-known Barcelona's symbol, the Panot tile. The design has been awarded with the Premi Talent 3D 2016 in the Premis Talent contest carried out by Empren E2, which focuses on unveiling and promoting local talent. Produced by Faro Barcelona



70496



Light	SMD LED Module 3000K 1W, 80LM, 3.7V, 220mA	3 intensities
Battery	Built-in Rechargeable Lithium Battery Non-replaceable	Battery Capacity 553048P 800mAH*1 / 2.96Wh
		Operating Voltage DC 3.7V
Accessory	1,4m micro USB line INCL	AC/DC adapter NOT INCLUDED class II, 100V-240V~50Hz/60Hz, output 5V 1A

