

* 3 options:

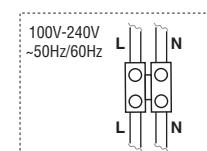
Option 1 GU10 MAX 8W LED no incl.



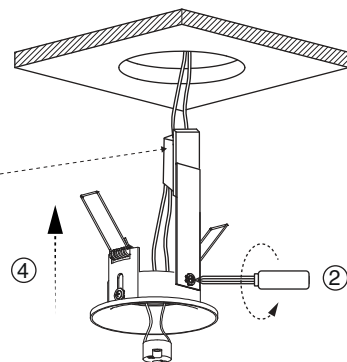
Socket GU10 CLASS II
No incl.
See www.faro.es



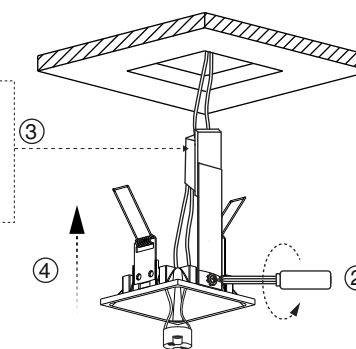
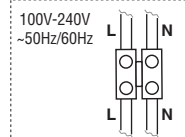
① Ø65mm



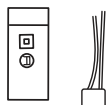
REF. 43399, 43409



REF. 43400, 43410



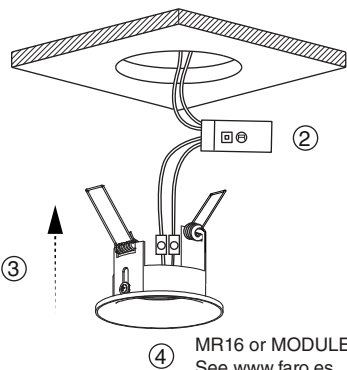
Option 2 MR16 12V MAX 8W LED no incl.



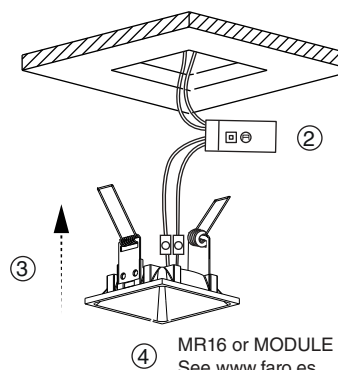
Driver No incl.
Socket MR16 No incl.
See www.faro.es



① 70x70mm

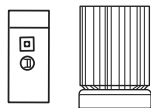


④ MR16 or MODULE LED No incl.
See www.faro.es

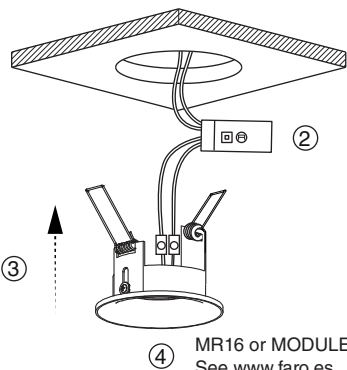


④ MR16 or MODULE LED No incl.
See www.faro.es

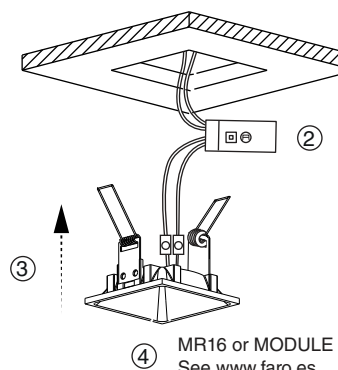
Option 3 LED MODULE MAX 8W LED no incl.



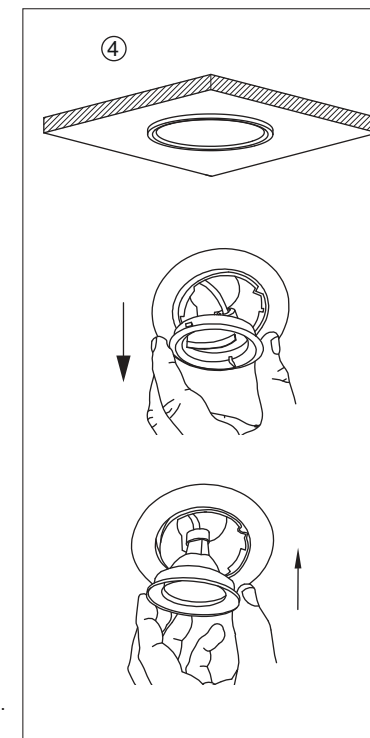
Driver No incl.
See www.faro.es



④ MR16 or MODULE LED No incl.
See www.faro.es



④ MR16 or MODULE LED No incl.
See www.faro.es



TECHNICAL FEATURES

