

\* 3 options:

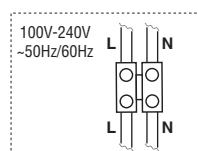
**Option 1** GU10 MAX 8W LED no incl.



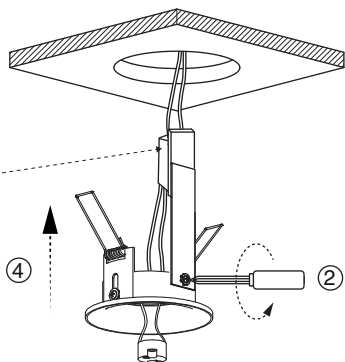
Socket GU10 CLASS II  
No incl.  
See [www.faro.es](http://www.faro.es)



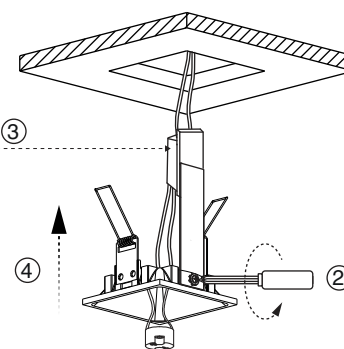
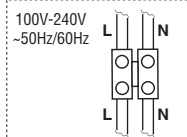
① Ø65mm



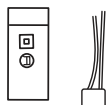
REF. 43399, 43409



REF. 43400, 43410



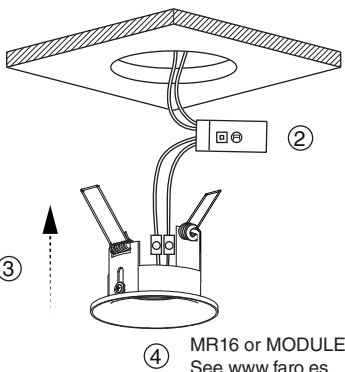
**Option 2** MR16 12V MAX 8W LED no incl.



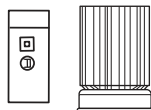
Driver No incl.  
Socket MR16 No incl.  
See [www.faro.es](http://www.faro.es)



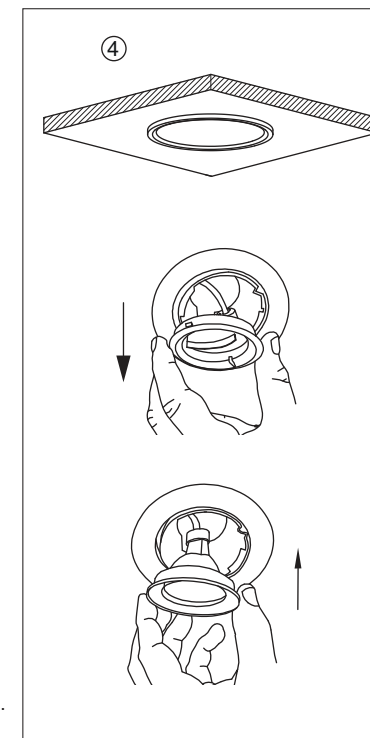
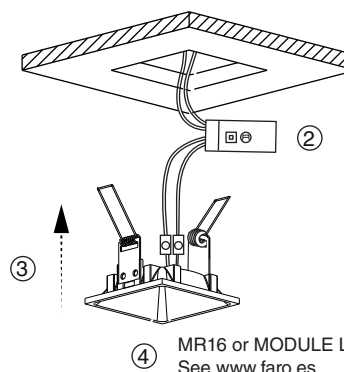
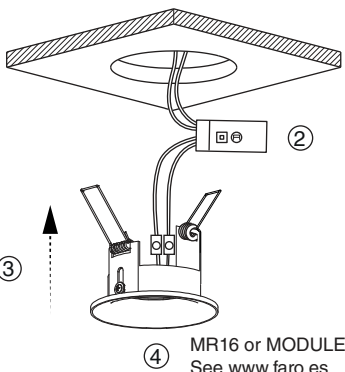
① 70x70mm



**Option 3** LED MODULE MAX 8W LED no incl.



Driver No incl.  
See [www.faro.es](http://www.faro.es)



**TECHNICAL FEATURES**

