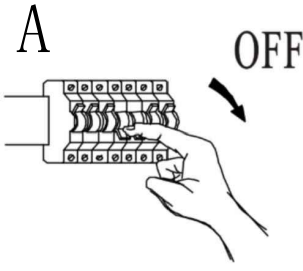
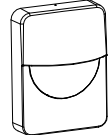



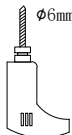
**A**





OFF


98705  x1


 x1

  $\phi 6\text{mm}$

 x4

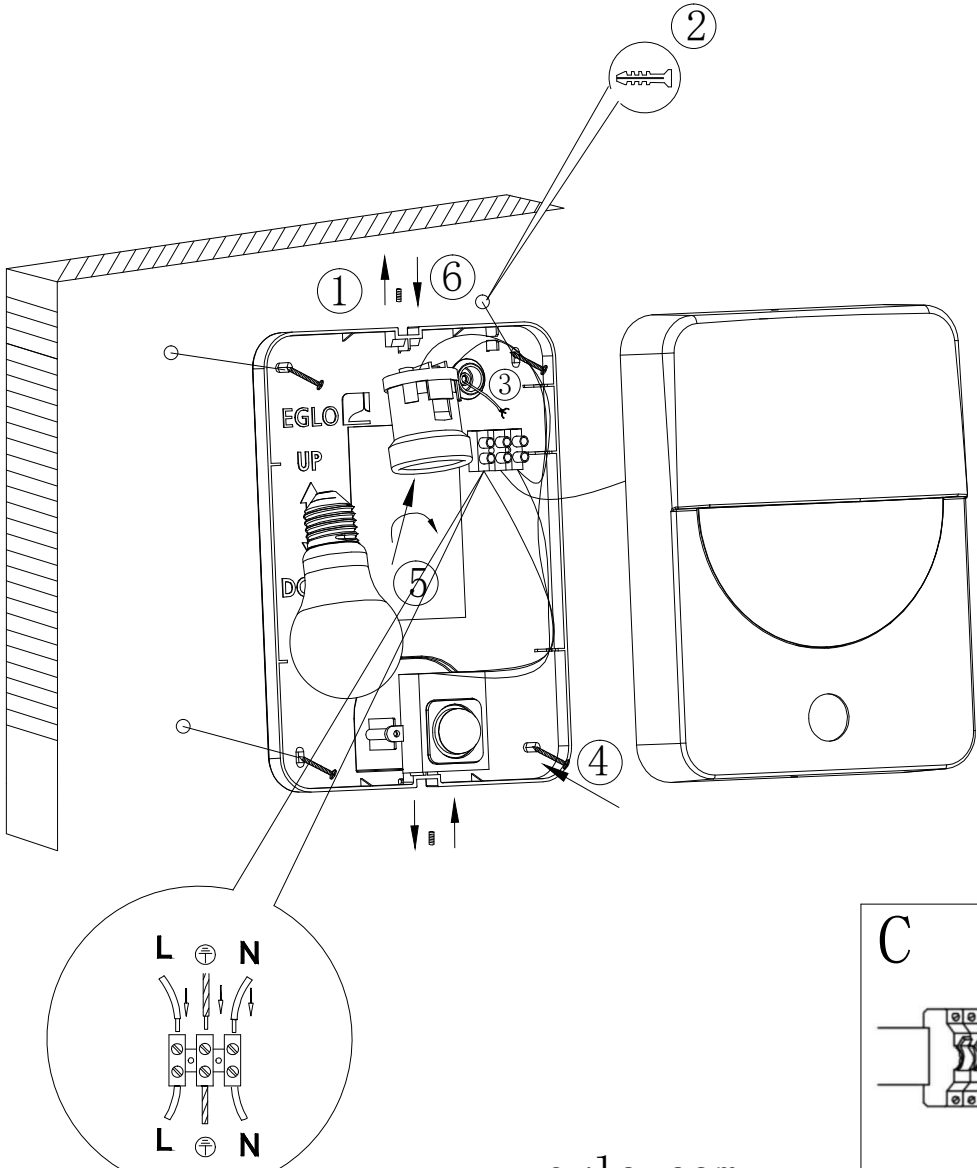
 x4





Not included

**B**



EGLO

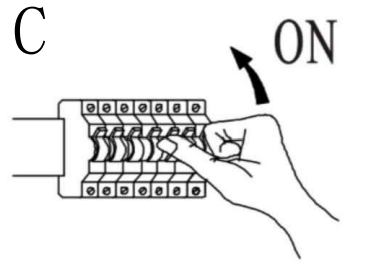
UP

DC

L N

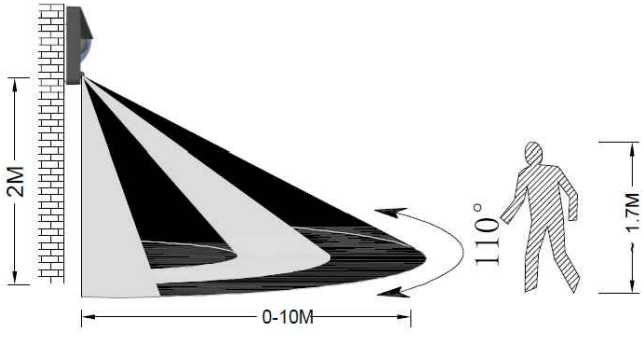
L N

**C**



ON

[www.eglo.com](http://www.eglo.com)

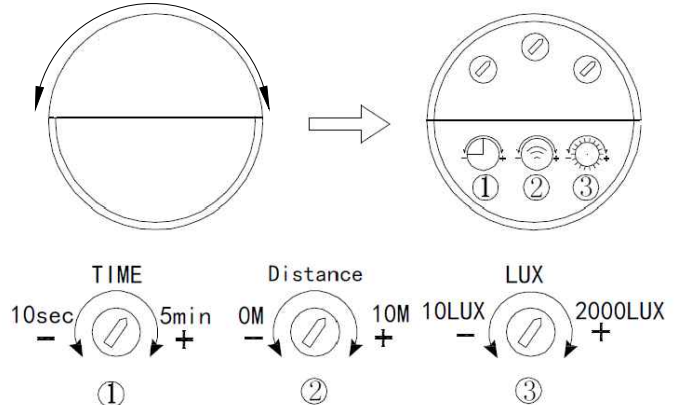


2M

0-10M

110°

1.7M



TIME

10sec 5min

Distance

OM 10M

LUX

10LUX 2000LUX

① ② ③