

MASHIKO 300 ROUND LED

astro

GENERAL

| | |
|---------------------------|--|
| LOCATION: | Bathroom |
| CLASS: | CE (Class II) |
| IP RATING: | IP44 |
| BATHROOM ZONE: | Zone 2, 3 |
| DRIVER REQUIRED: | No |
| INSTALLATION ORIENTATION: | Ceiling Mount Wall Mount (Reduced IP) |
| MAIN MATERIAL: | Metal - Stainless Steel |
| DIMENSIONS (mm): | H: 90 Ø: 300 |
| CUT OUT HOLE (mm): | - |
| RECESS DEPTH (mm): | - |
| FIRE RATING: | - |
| CABLE LENGTH (mm): | - |
| GROSS WEIGHT (kg): | 2.5 |

LAMP

| | |
|--------------------------------|----------------|
| LIGHT SOURCE: | AC LED Module |
| WATTAGE: | 15.8W |
| LAMP INCLUDED: | Yes (Integral) |
| MAXIMUM LAMP LENGTH (mm): | - |
| LUMINOUS FLUX (lm): | 996 |
| COLOUR TEMP (K): | 2700 |
| CRI (Ra): | >80 |
| TILT ADJUSTABLE ANGLE (°): | - |
| ROTATION ADJUSTABLE ANGLE (°): | - |
| LIFETIME (hrs): | 20000 |
| BEAM ANGLE (°): | - |

ELECTRICAL

| | |
|-----------------------------|---------|
| SWITCHED: | - |
| DIMMABLE: | No |
| DIMMING METHOD: | - |
| SUPPLY FREQUENCY (Hz): | 50/60 |
| DRIVER/BALLAST VOLTAGE (V): | 220-240 |
| DRIVER LIFETIME (hrs): | 20000 |
| EFFICACY (lm/W): | 63 |

ADDITIONAL INFORMATION:

| | |
|--------------------------|---|
| SHADE INCLUDED: | - |
| SHADE/DIFFUSER MATERIAL: | Glass |
| SHADE/DIFFUSER FINISH | White |
| F MARK: | Not Suitable for mounting on flammable materials |



CODE: 1121041
FINISH: POLISHED CHROME



CODE: 1121045
FINISH: BRONZE

TO MAINTAIN THIS PRODUCT TO ITS BEST CONDITION, PLEASE VIEW OUR CARE AND CLEANING GUIDE ON THE SUPPORT SECTION OF THE ASTRO WEBSITE.

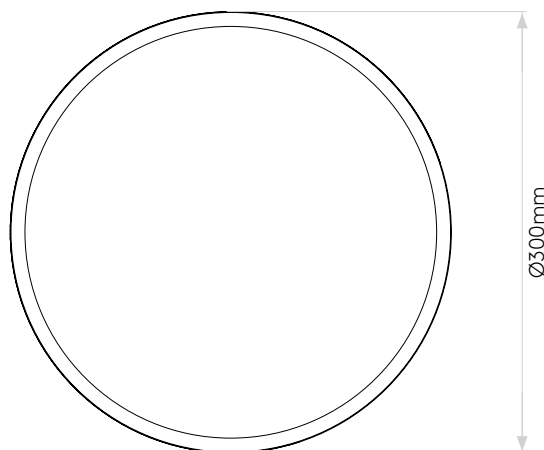
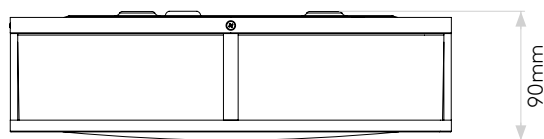
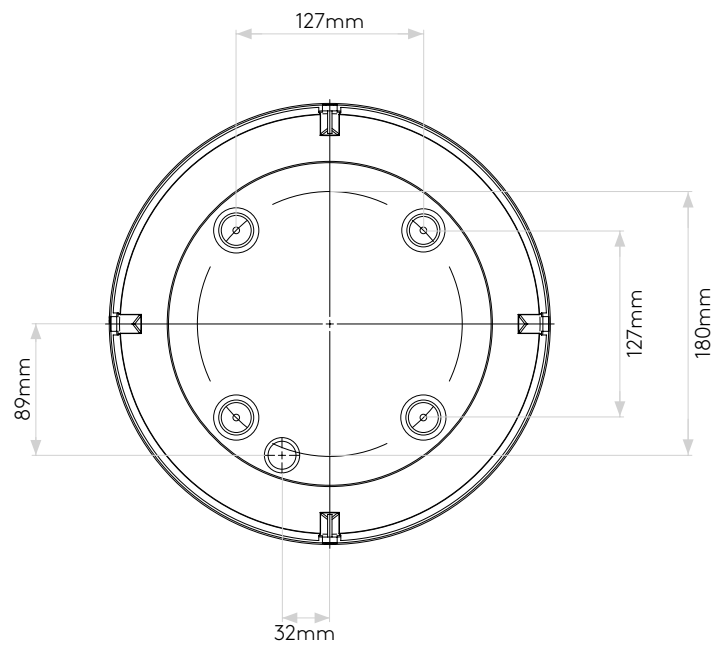
Pour entretenir au mieux ce produit, veuillez consulter notre guide d'entretien et de nettoyage, dans la rubrique d'aide sur le site Web d'Astro.

Um dieses Produkt im besten Zustand zu erhalten, beachten Sie bitte unseren Leitfaden zu Pflege und Reinigung im Abschnitt „Support“ auf der Astro-Website.

Per mantenere questo prodotto nelle sue migliori condizioni, consultare la nostra guida per la manutenzione e la pulizia nella sezione dedicata all'assistenza del sito Web Astro.

PRODUCT ELEVATIONS

astro



Please note that some dimensions may vary slightly due to manufacturing tolerances, this includes cable entry and fixing holes

Veillez noter que certaines dimensions peuvent varier légèrement en raison des tolérances de fabrication, y compris l'entrée de câble et les trous de fixation.

Bitte beachten Sie, dass die Maße Fertigungstoleranzen unterliegen und daher in geringem Umfang von der angegebenen Größe abweichen können. Dies gilt auch für Kabeleingänge und Befestigungslöcher.

Si prega notare che possono esserci piccole variazioni in alcune dimensioni dovute alle tolleranze di produzione, queste includono l'ingresso del cavo e i fori di fissaggio.