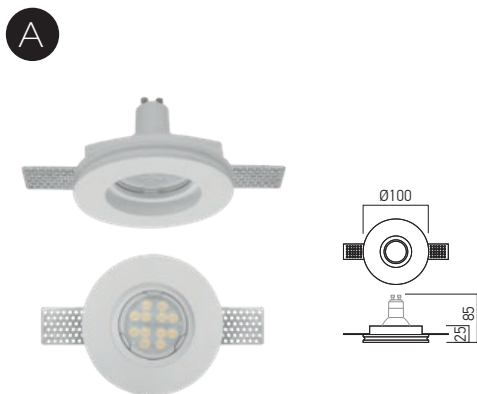
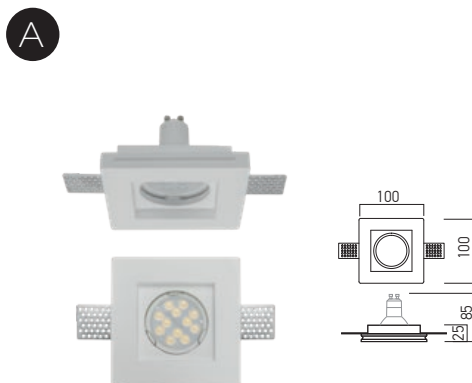


GSS01



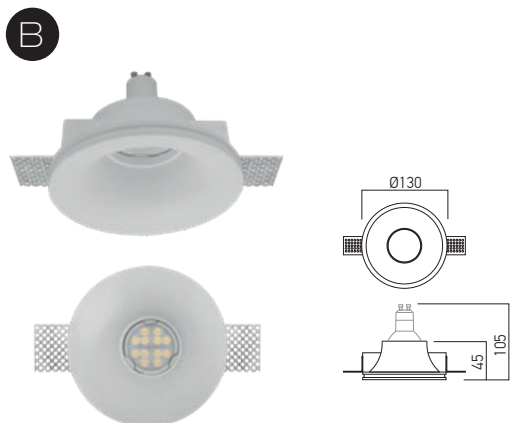
Code	Finishing	Bulbs type	Socket	Power	Input voltage	Ⓟ	Weight
GSS01	GP	PAR16	GU10	1x50W max.	230V AC	Ø105 mm	0,20 kg

GSS02



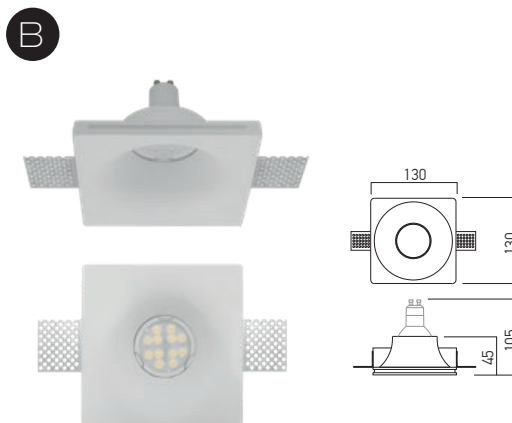
Code	Finishing	Bulbs type	Socket	Power	Input voltage	Ⓟ	Weight
GSS02	GP	PAR16	GU10	1x50W max.	230V AC	105x105 mm	0,26 kg

GSS03



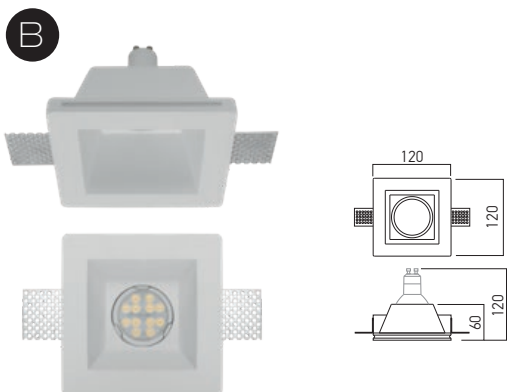
Code	Finishing	Bulbs type	Socket	Power	Input voltage	Ⓟ	Weight
GSS03	GP	PAR16	GU10	1x50W max.	230V AC	Ø135 mm	0,50 kg

GSS04



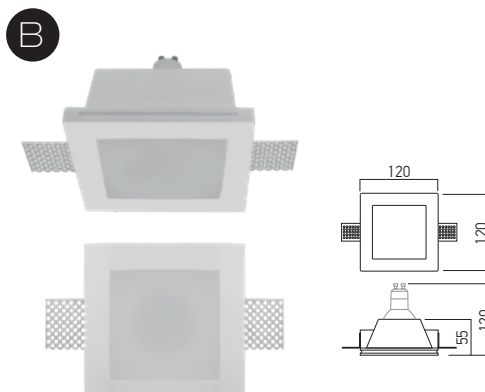
Code	Finishing	Bulbs type	Socket	Power	Input voltage	Ⓟ	Weight
GSS04	GP	PAR16	GU10	1x50W max.	230V AC	135x135 mm	0,39 kg

GSS05



Code	Finishing	Bulbs type	Socket	Power	Input voltage	Ⓟ	Weight
GSS05	GP	PAR16	GU10	1x50W max.	230V AC	125x125 mm	0,55 kg

GSS06



Code	Finishing	Bulbs type	Socket	Power	Input voltage	Ⓟ	Weight
GSS06	GP	PAR16	GU10	1x50W max.	230V AC	125x125 mm	0,54 kg

Satin glass diffuser.
 Dispersor din sticlă satinată.
 Diffusore in vetro satinato.