



Leona

Timeless and discreet design



Life Is On

Contents

- 4 Leona presentation
- 6 Assembled products
- 11 Accessories
- 12 Technical informations
- 15 Reference number

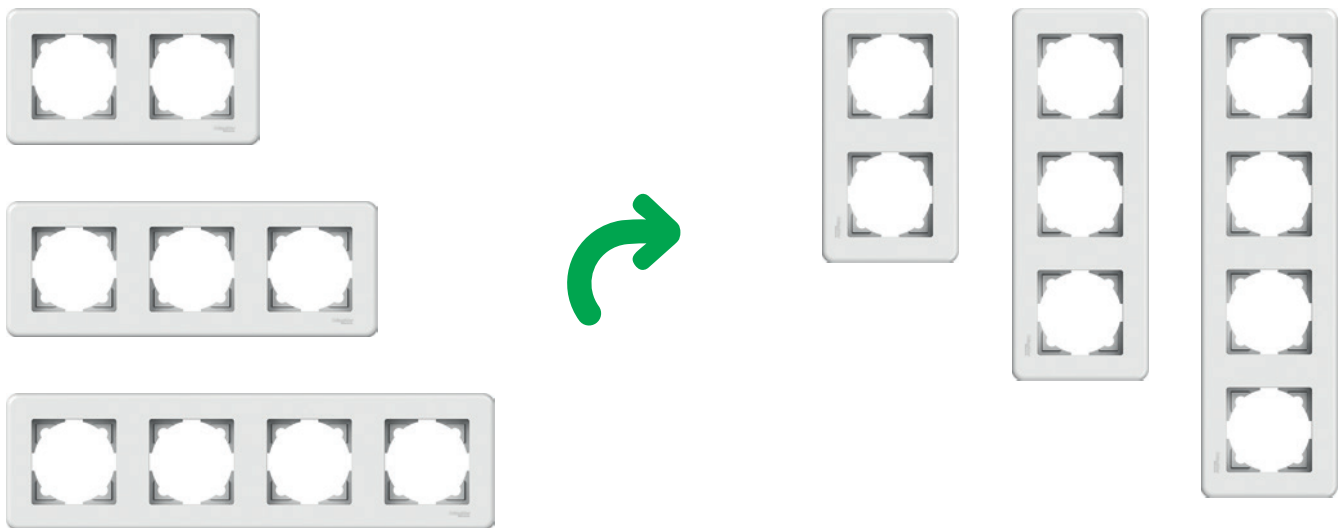
Leona - smart designed...

The new Leona switch range is characterized by smooth rounded edges. The timeless and discreet design in white and creme colour will fit in any home.



Innovative assembly system

Leona frames are available from 1-gang up to 4-gang. The frames can be installed horizontally or vertically. The material is shiny as well as very robust.

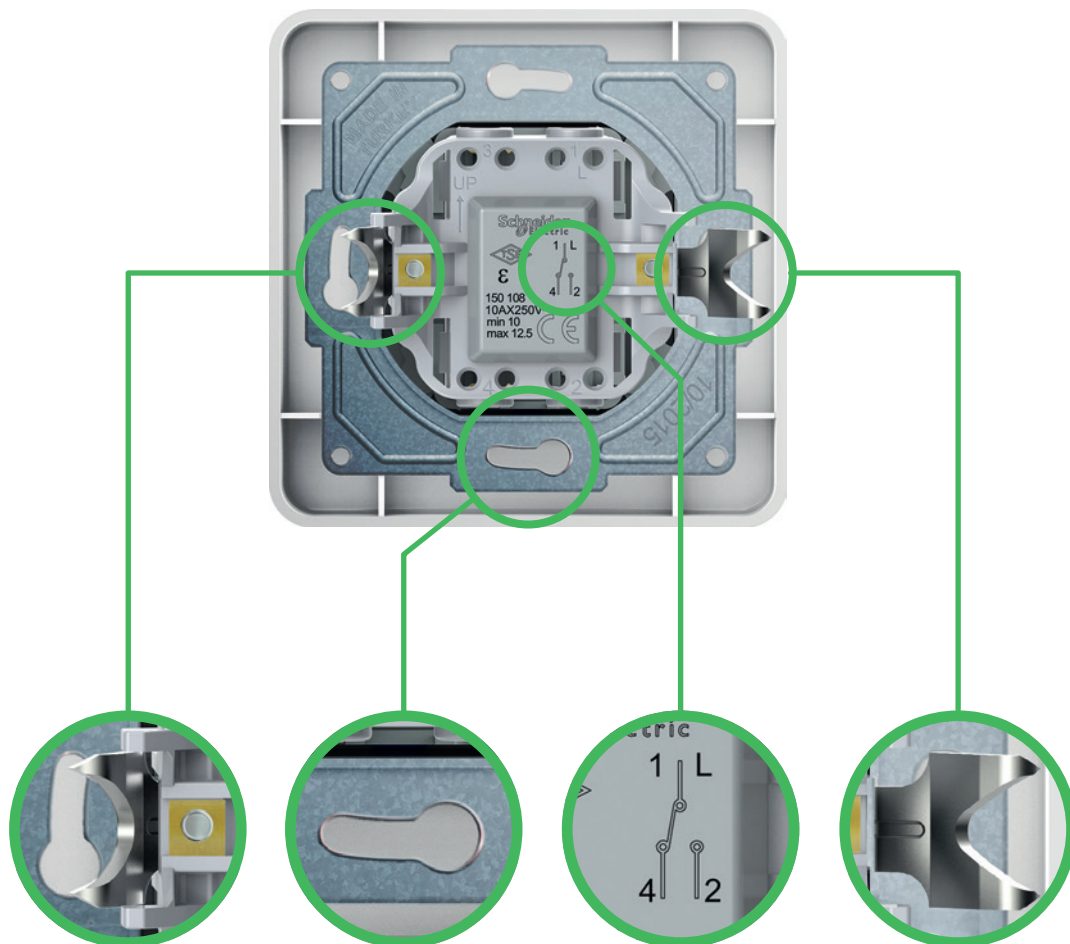


Leona comes with a brought range of functions like dimmers, push-buttons for shutter control, marked socket-outlets and communication outlets and many more.



...simply installed

Thanks to several product features the installation is safe, quick and easy.



Screw or claw mounting

Depending on the installation area or behaviour, all Leona inserts can be mounted with screws or claws.

Safe wiring

The wiring diagram printed on the insert shows how to wire the function.

Strong and long-lasting fixation

The angle of the claws is optimized to provide strong fixation.

Assembled products

Controls








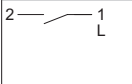
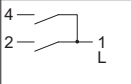
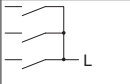
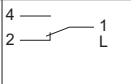
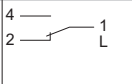
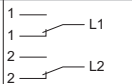
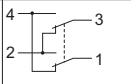
Comfort controls




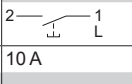
Controls






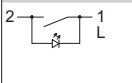
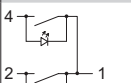
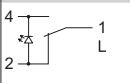
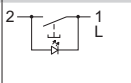
Switches and push-buttons

Common characteristics

- Rated operational voltage: 250 V AC
- Connexion: screw terminals
- Clamping connection capacity:
 - switches: 2 x 2.5 mm² rigid/flexible cables
 - push-buttons: 2 x 1.5 mm² rigid/flexible cables
- Standard: IEC 60669-1
- Certification: TSE
- Quality label: CE
- Degree of protection: IP20, IP44 (LNA040042x)

| Switches | | | | | | | |
|---|---|---|---|--|---|---|------------|
|  |  |  |  |  |  |  | |
| One-way switch | Double one-way switch | Triple one-way switch | Two-way switch | Two-way switch-IP44 | Double two-way switch | Intermediate switch | |
|  |  |  |  |  |  |  | |
| Rated current | 10 AX | | | | | | |
| Colour | | | | | | | |
| <input type="checkbox"/> white | LNA0100321 | LNA0300321 | LNA2100321 | LNA0400321 | LNA0400421 | LNA0600321 | LNA0500321 |
| <input type="checkbox"/> cream | LNA0100323 | LNA0300323 | LNA2100323 | LNA0400323 | LNA0400423 | LNA0600323 | LNA0500323 |

| Push-buttons | | | |
|---|---|---|------------|
|  |  |  | |
| Push-button | Push-button with "key" symbol | Push-button with "bell" symbol | |
|  | | | |
| Rated current | 10 A | | |
| Colour | | | |
| <input type="checkbox"/> white | LNA0700321 | LNA0900321 | LNA0800321 |
| <input type="checkbox"/> cream | LNA0700323 | LNA0900323 | LNA0800323 |

| Switches with locator lamp | | | Push-buttons with locator lamp | | |
|---|---|---|---|--|------------|
|  |  |  |  |  | |
| One-way switch | Double one-way switch | Two-way switch | Push-button | Push-button with label holder (12 V lamp) | |
|  |  |  |  | | |
| Rated current | 10 AX | | 10 A | | |
| Colour | | | | | |
| <input type="checkbox"/> white | LNA1400321 | LNA2000321 | LNA1500321 | LNA1600321 | LNA1601521 |
| <input type="checkbox"/> cream | LNA1400323 | LNA2000323 | LNA1500323 | LNA1600323 | LNA1601523 |

Assembled products

Controls

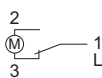
Comfort controls

Mechanisms for roller blind

Characteristics

- Rated operational voltage: 250 V AC
- Rated current: 10 A
- Connexion: screw terminals
- Clamping connection capacity: 2 x 2.5 mm² rigid/flexible cables
- Degree of protection: IP 20
- Standard: IEC 60669-1
- Certifications: TSE
- Quality label: CE
- Degrees of protection: IP 20

Switch



| | |
|--------------------------------|------------|
| Colour | |
| <input type="checkbox"/> white | LNA1300521 |
| <input type="checkbox"/> cream | LNA1300523 |

Comfort controls

Rotary dimmers

Dimmer for resistive lamps









| | |
|---------------------------------------|---|
| Colour | |
| <input type="checkbox"/> white | LNA6400121 |
| <input type="checkbox"/> cream | LNA6400123 |
| Characteristics | |
| Dimmer control | Rotative - ON/OFF integrated |
| Rated operational voltage | 230 V AC, 50 Hz |
| Rated current | 1.7 A |
| Minimum load breaking capacity | 40 W |
| Clamping connection capacity | 2 x 2.5 mm ² rigid/flexible cables |
| Ambient air temperature for operation | +5 to +35 °C |
| Certification | CE |
| Degree of protection | IP20 |
| Loads | |
| Incandescend lamps | 40 - 400 W |
| Halogen lamps | 40 - 400 W |
| | |

Assembled products

Energy socket-outlets

- Characteristics**
- Rated operational voltage: 250 V AC
 - Rated current: 16 A
 - Connexion: screw terminals
 - Clamping connection capacity:
 - 2P: 2 x 2.5 mm² rigid/flexible cables
 - 2P+E: 3 x 2.5 mm² rigid/flexible cables
 - Standard: IEC 60884-1
 - Certification: TSE, BBJ
 - Degree of protection: IP20, IP44 (LNA280022x, LNA280052x)

| | 2P+E (side earth) | | | 2P+E (pin earth) | | |
|--------------------------------|---|---|---|--|---|---|
| |  |  |  |  |  |  |
| | Single | Single with shutters | Single with shutters and lid | Single | Single with shutters and lid IP44 | Double |
| Colour | | | | | | |
| <input type="checkbox"/> white | LNA2900121 | LNA2900221 | LNA3100221 | LNA2800121 | LNA2800521 | LNA9800221 |
| <input type="checkbox"/> cream | LNA2900123 | LNA2900223 | LNA3100223 | LNA2800123 | LNA2800523 | LNA9800223 |

Assembled products

VDI

Telephone sockets

Characteristics

- Degree of protection: IP20

| | Simple RJ11, 4 contacts | Double RJ11, 4 contacts |
|--------------------------------|---|---|
| |  |  |
| Colour | | |
| <input type="checkbox"/> white | LNA4100121 | LNA4200121 |
| <input type="checkbox"/> cream | LNA4100123 | LNA4200123 |



TV-R-SAT sockets

Common characteristics

- Degree of protection: IP20

| | TV | TV-R | TV-SAT | TV-R-SAT | SAT | |
|--------------------------------|--|--|--|---|--|------------|
| |  |  |  |  |  | |
| Type | Ending | Intermediate | Ending | Ending | Intermediate | |
| Connectors | IEC female | IEC male + female | IEC male + F | IEC male + female + F | IEC male + female + F | F |
| Attenuation | 4dB | 7 dB | 1 dB | 1.5 dB | 5 dB | 4 dB |
| Colour | | | | | | |
| <input type="checkbox"/> white | LNA3200121 | LNA3300121 | LNA3400121 | LNA3500121 | LNA3500221 | LNA3700121 |
| <input type="checkbox"/> cream | LNA3200123 | LNA3300123 | LNA3400123 | LNA3500123 | LNA3500223 | LNA3700123 |



Cover for TV-R and TV-SAT sockets

Characteristics

- Degree of protection: IP20







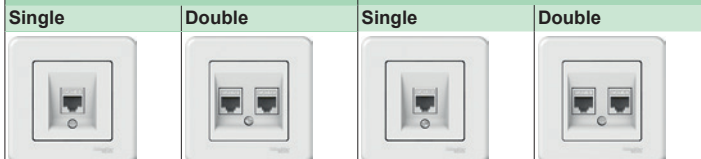
| | |
|--------------------------------|------------|
| Colour | |
| <input type="checkbox"/> white | LNA3400521 |
| <input type="checkbox"/> cream | LNA3400523 |

RJ45 data sockets

Characteristics

- Connexion: IDC terminals
- Degree of protection: IP20

| | Cat. 5e UTP | | Cat. 6 UTP | |
|--------------------------------|---|---|---|--|
| | Single | Double | Single | Double |
| |  |  |  |  |
| Colour | | | | |
| <input type="checkbox"/> white | LNA4700121 | LNA4400121 | LNA4300121 | LNA4800121 |
| <input type="checkbox"/> cream | LNA4700123 | LNA4400123 | LNA4300121 | LNA4800123 |



Assembled products

VDI

RJ45 + RJ11 data sockets

Characteristics

- Degree of protection: IP20

RJ45 cat.5e UTP + RJ11 4 contacts



Colour

| | |
|--------------------------------|------------|
| <input type="checkbox"/> white | LNA4900121 |
| <input type="checkbox"/> cream | LNA4900123 |

Covers for data sockets

Characteristics

- Degree of protection: IP20

Single



Double



Colour

| | | |
|--------------------------------|------------|------------|
| <input type="checkbox"/> white | LNA4301121 | LNA4401121 |
| <input type="checkbox"/> cream | LNA4301123 | LNA4401123 |

Volume control

Characteristics

- Rated operational voltage : 12 V DC
- Rated operational power: 5W
- Average impedance: 4 Ω
- Clamping connection capacity: 2 x 0.75 mm² flexible cables
- Degree of protection: IP20

Volume control potentiometer



Colour

| | |
|--------------------------------|------------|
| <input type="checkbox"/> white | LNA5701121 |
| <input type="checkbox"/> cream | LNA5701123 |

Cover frames

Characteristics

- Degree of protection: IP20



| | 2 gang horizontal | 3 gang horizontal | 4 gang horizontal |
|--------------------------------|-------------------|-------------------|-------------------|
| Colour | | | |
| <input type="checkbox"/> white | LNA5800221 | LNA5800321 | LNA5800421 |
| <input type="checkbox"/> cream | LNA5800223 | LNA5800323 | LNA5800423 |

Cable outlets

Characteristics

- Degree of protection: IP20

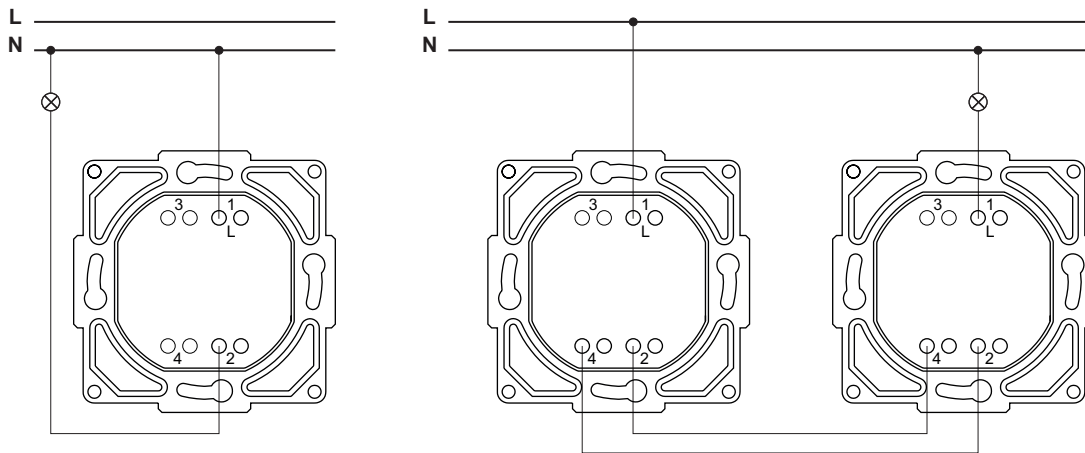


| | Cable outlets |
|--------------------------------|---------------|
| Colour | |
| <input type="checkbox"/> white | LNA5500121 |
| <input type="checkbox"/> cream | LNA5500123 |

Technical informations

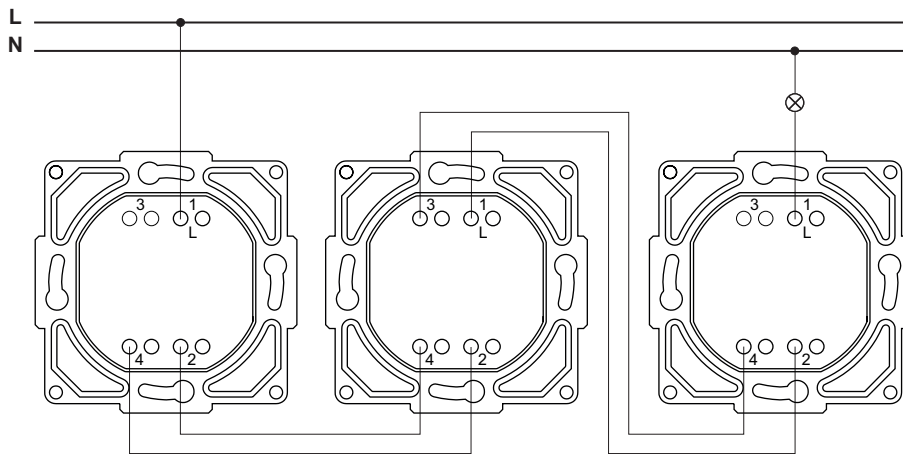
Connection examples

Switches and push-buttons

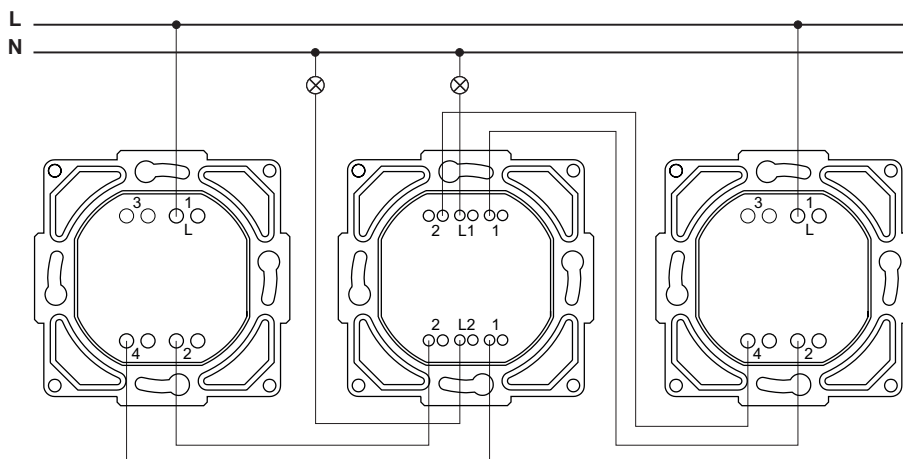


One-way switch

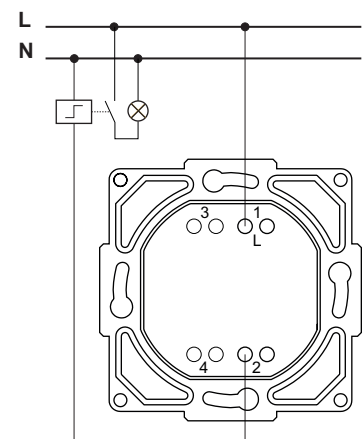
2 two-way switches



2 two-way switches + 1 intermediate switch



2 two-way switches + 1 double two-way switch acting on two different loads

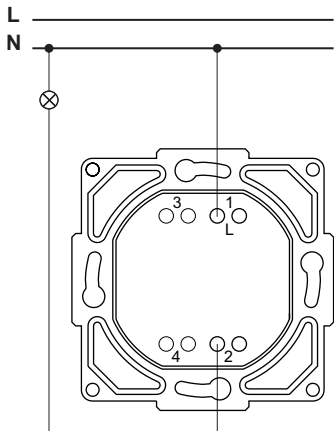


Push-button

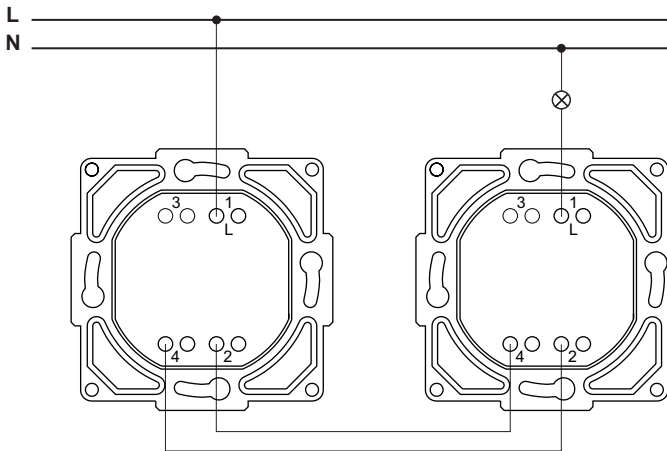
Technical informations

Connection examples

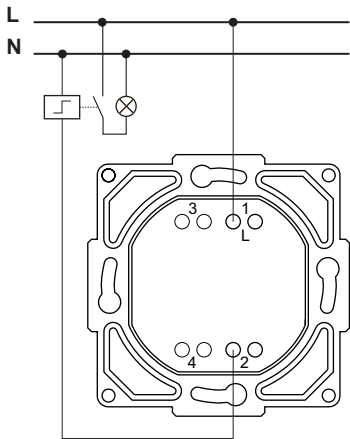
Switches and push-buttons with locator lamp



One-way switch with locator lamp

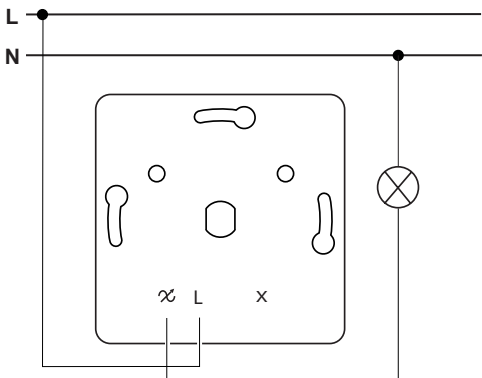


2 two-way switches with locator lamp



Push-button with locator lamp

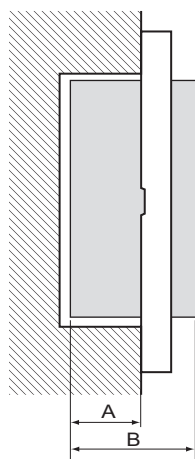
Rotary dimmer



Technical information

Dimensions

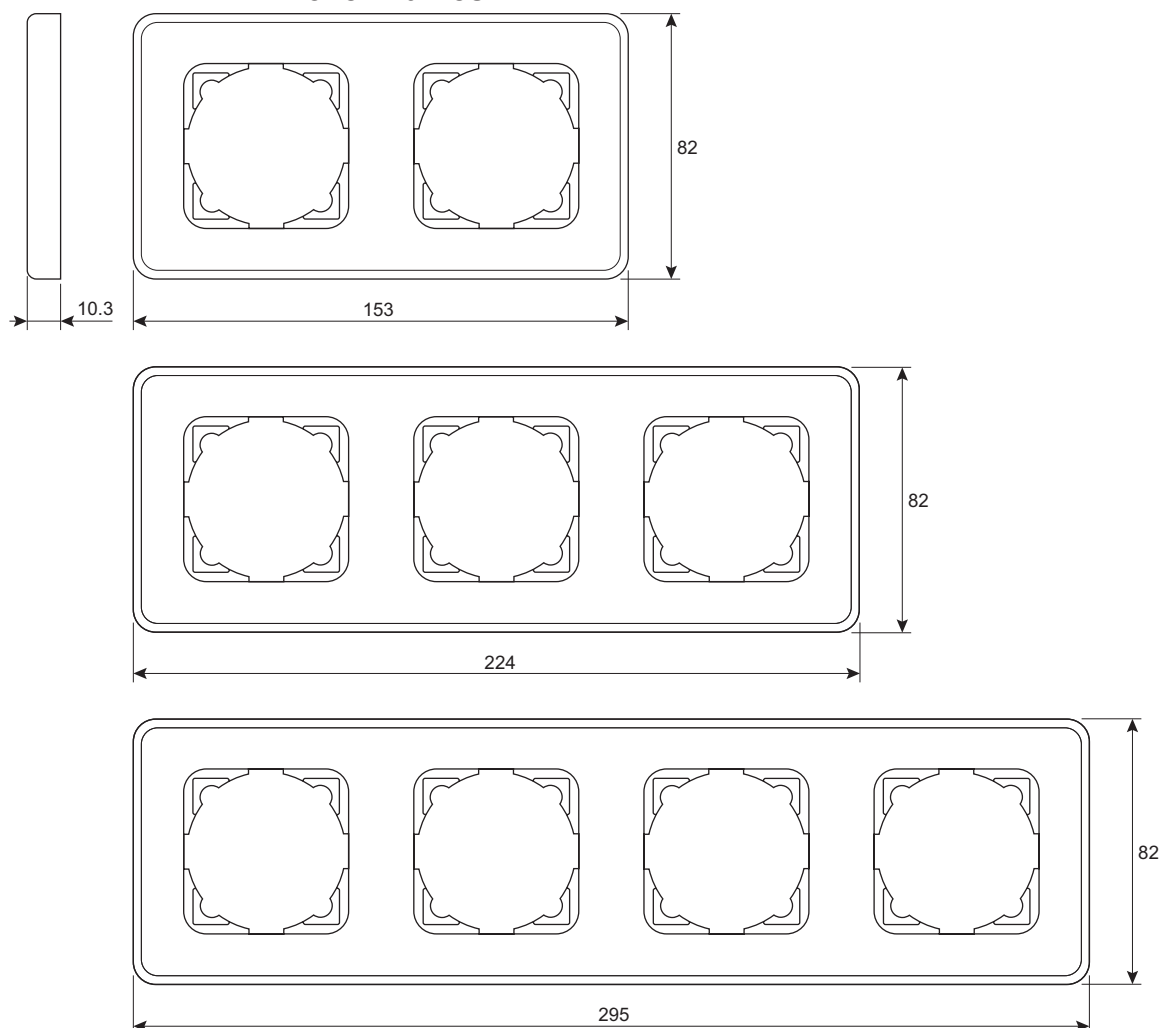
Depth of inserts



| Ref. | A (mm) | B (mm) | Ref. | A (mm) | B (mm) | Ref. | A (mm) | B (mm) |
|------------|--------|--------|------------|--------|--------|------------|--------|--------|
| LNA010032x | 29.3 | 45.8 | LNA160152x | 29.3 | 45.8 | LNA350022x | 29.1 | 40.5 |
| LNA030032x | 29.3 | 45.8 | LNA200032x | 29.3 | 45.8 | LNA370012x | 27.1 | 44.2 |
| LNA040032x | 29.3 | 45.8 | LNA210032x | 27.9 | 44.3 | LNA410012x | 31.4 | 41.7 |
| LNA040042x | 29.3 | 45.8 | LNA280012x | 29.1 | 41.6 | LNA420012x | 27.3 | 37.6 |
| LNA050032x | 29.3 | 45.8 | LNA280052x | 29.4 | 43.61 | LNA430012x | 31.4 | 41.7 |
| LNA060032x | 27.9 | 44.3 | LNA290012x | 29.1 | 41.6 | LNA440012x | 27.3 | 37.6 |
| LNA070032x | 29.3 | 45.8 | LNA290022x | 29.1 | 41.6 | LNA440112x | 31.4 | 41.7 |
| LNA080032x | 29.3 | 45.8 | LNA300012x | 21.3 | 33.5 | LNA470012x | 31.4 | 41.7 |
| LNA090032x | 29.6 | 45.8 | LNA310022x | 29.1 | 43.7 | LNA480012x | 27.3 | 37.6 |
| LNA130052x | 27.9 | 44.3 | LNA320012x | 27.1 | 38.5 | LNA490012x | 27.3 | 37.6 |
| LNA140032x | 29.3 | 45.8 | LNA330012x | 29.5 | 39.7 | LNA570112x | 31.2 | 51.2 |
| LNA150032x | 29.3 | 45.8 | LNA340012x | 29.5 | 39.7 | LNA640012x | 31.2 | 51.2 |
| LNA160032x | 29.3 | 45.8 | LNA350012x | 29.1 | 40.5 | LNA980022x | 24 | 44.74 |

A: Embedding depth
B: Depth

Cover frames



Dimensions in mm.

Reference number

Overview

| Ref. | Pages | Ref. | Pages | Ref. | Pages | Ref. | Pages | Ref. | Pages |
|------------|-------|------------|-------|------------|-------|------------|-------|------------|-------|
| LNA010032x | 14 | LNA1300521 | 7 | LNA2900123 | 8 | LNA410012x | 14 | LNA5701121 | 10 |
| LNA0100321 | 6 | LNA1300523 | 7 | LNA290022x | 14 | LNA4100121 | 9 | LNA5701123 | 10 |
| LNA0100323 | 6 | LNA140032x | 14 | LNA2900221 | 8 | LNA4100123 | 9 | LNA5800221 | 11 |
| LNA030032x | 14 | LNA1400321 | 6 | LNA2900223 | 8 | LNA420012x | 14 | LNA5800223 | 11 |
| LNA0300321 | 6 | LNA1400323 | 6 | LNA300012x | 14 | LNA4200121 | 9 | LNA5800321 | 11 |
| LNA0300323 | 6 | LNA150032x | 14 | LNA310022x | 14 | LNA4200123 | 9 | LNA5800323 | 11 |
| LNA040032x | 14 | LNA1500321 | 6 | LNA3100221 | 8 | LNA430012x | 14 | LNA5800421 | 11 |
| LNA0400321 | 6 | LNA1500323 | 6 | LNA3100223 | 8 | LNA4300121 | 9 | LNA5800423 | 11 |
| LNA0400323 | 6 | LNA160032x | 14 | LNA320012x | 14 | LNA4301121 | 10 | LNA640012x | 14 |
| LNA040042x | 14 | LNA1600321 | 6 | LNA3200121 | 9 | LNA4301123 | 10 | LNA6400121 | 7 |
| LNA0400421 | 6 | LNA1600323 | 6 | LNA3200123 | 9 | LNA440012x | 14 | LNA6400123 | 7 |
| LNA0400423 | 6 | LNA160152x | 14 | LNA330012x | 14 | LNA4400121 | 9 | LNA980022x | 14 |
| LNA050032x | 14 | LNA1601521 | 6 | LNA3300121 | 9 | LNA4400123 | 9 | LNA9800221 | 8 |
| LNA0500321 | 6 | LNA1601523 | 6 | LNA3300123 | 9 | LNA440112x | 14 | LNA9800223 | 8 |
| LNA0500323 | 6 | LNA200032x | 14 | LNA340012x | 14 | LNA4401121 | 10 | | |
| LNA060032x | 14 | LNA2000321 | 6 | LNA3400121 | 9 | LNA4401123 | 10 | | |
| LNA0600321 | 6 | LNA2000323 | 6 | LNA3400123 | 9 | LNA470012x | 14 | | |
| LNA0600323 | 6 | LNA210032x | 14 | LNA3400521 | 9 | LNA4700121 | 9 | | |
| LNA070032x | 14 | LNA2100321 | 6 | LNA3400523 | 9 | LNA4700123 | 9 | | |
| LNA0700321 | 6 | LNA2100323 | 6 | LNA350012x | 14 | LNA480012x | 14 | | |
| LNA0700323 | 6 | LNA280012x | 14 | LNA3500121 | 9 | LNA4800121 | 9 | | |
| LNA080032x | 14 | LNA2800121 | 8 | LNA3500123 | 9 | LNA4800123 | 9 | | |
| LNA0800321 | 6 | LNA2800123 | 8 | LNA350022x | 14 | LNA490012x | 14 | | |
| LNA0800323 | 6 | LNA2800521 | 8 | LNA3500221 | 9 | LNA4900121 | 10 | | |
| LNA090032x | 14 | LNA2800523 | 8 | LNA3500223 | 9 | LNA4900123 | 10 | | |
| LNA0900321 | 6 | LNA280052x | 14 | LNA370012x | 14 | LNA5500121 | 11 | | |
| LNA0900323 | 6 | LNA290012x | 14 | LNA3700121 | 9 | LNA5500123 | 11 | | |
| LNA130052x | 14 | LNA2900121 | 8 | LNA3700123 | 9 | LNA570112x | 14 | | |

Life Is On | **Schneider**
Electric

Schneider Electric Industries SAS

35, rue Joseph Monier
CS 30323
92506 Rueil Malmaison Cedex
France

RCS Nanterre 954 503 439
Capital social 896 313 776 €
www.schneider-electric.com

03-2018
ART. XXXXXX

© 2018 - Schneider Electric. All Rights Reserved.
All trademarks are owned by Schneider Electric Industries SAS or its affiliated companies.
Document reference: LSB03405EN

This document has been
printed on recycled paper

